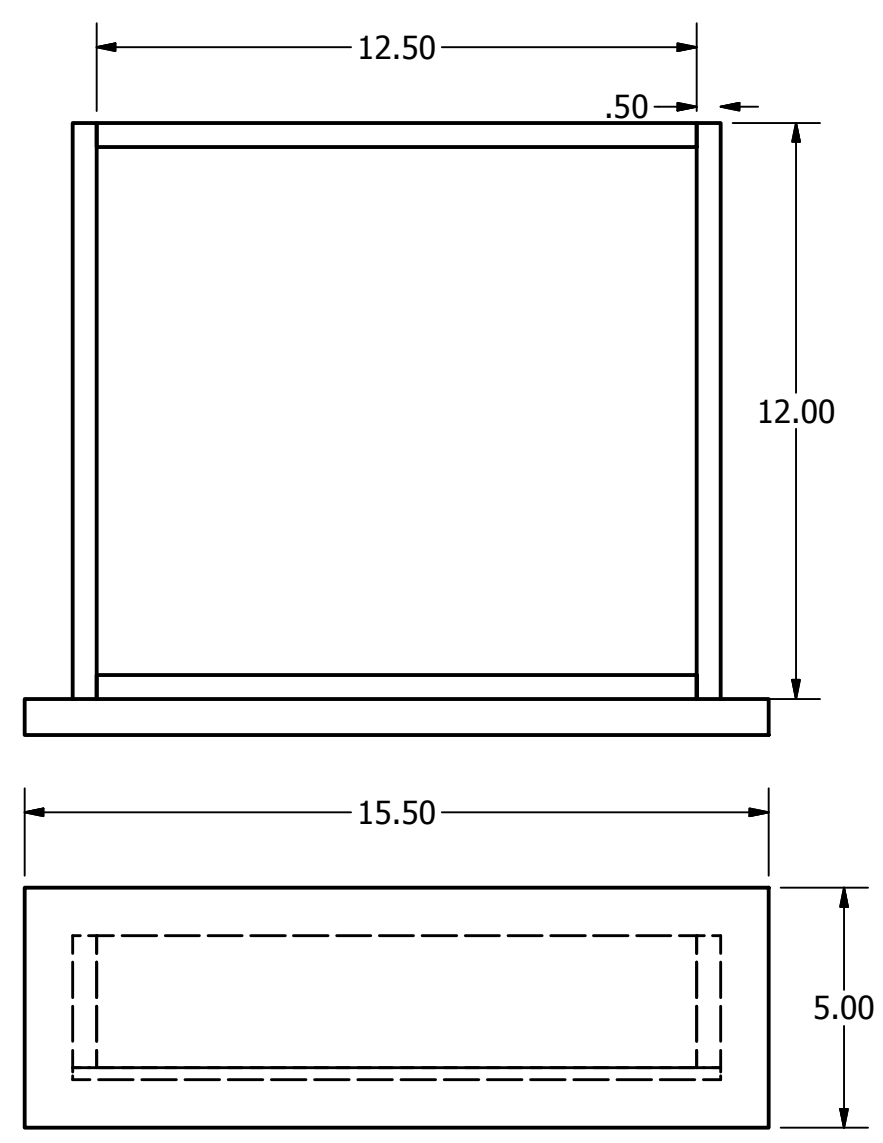
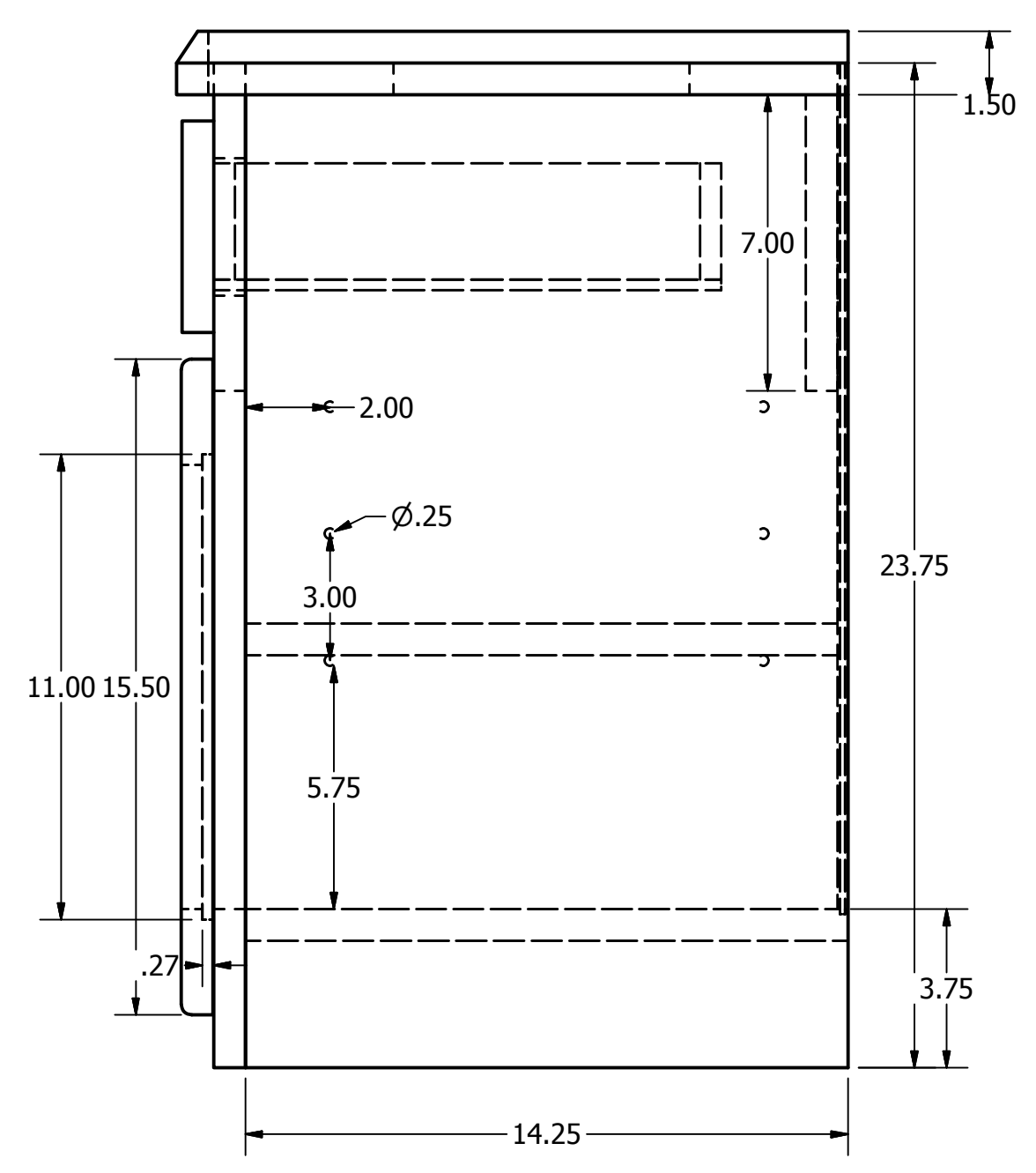
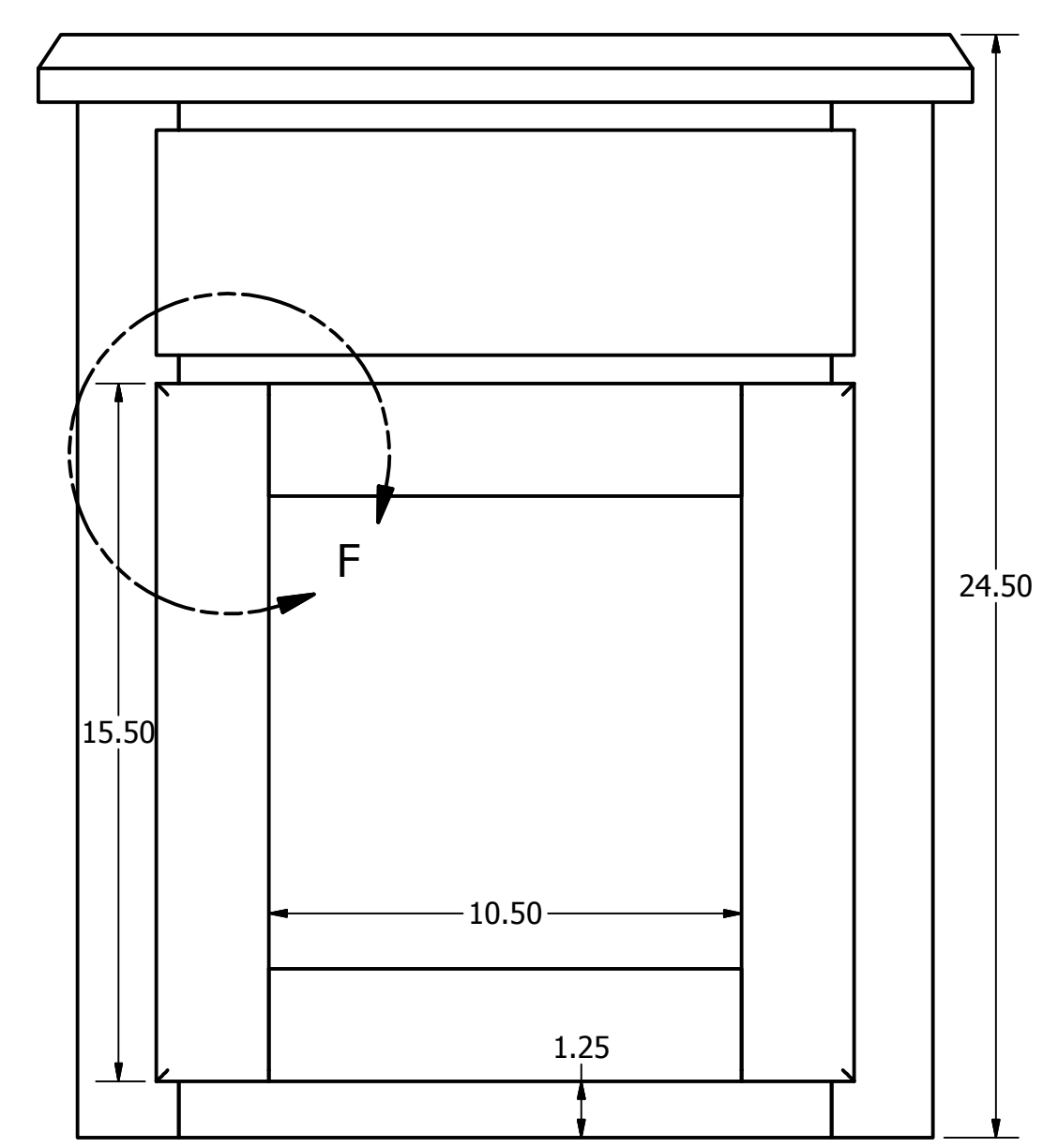
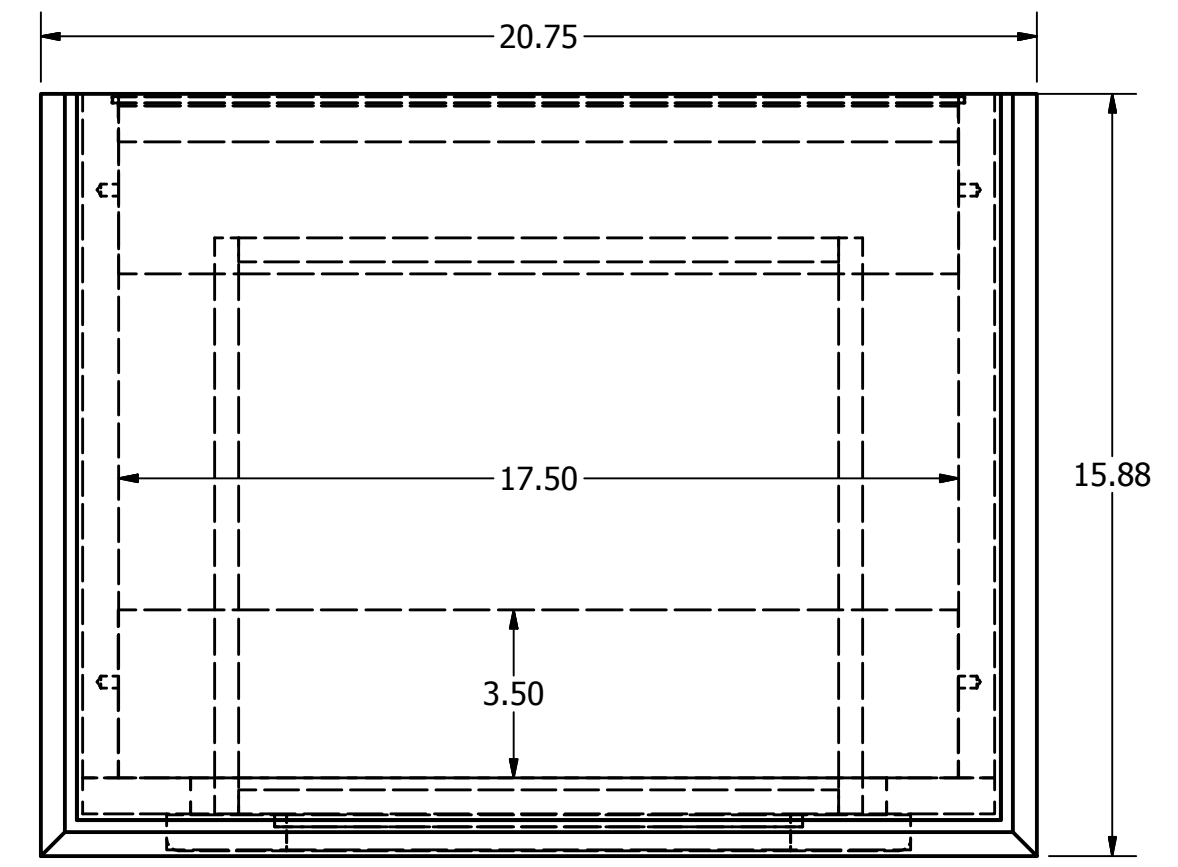
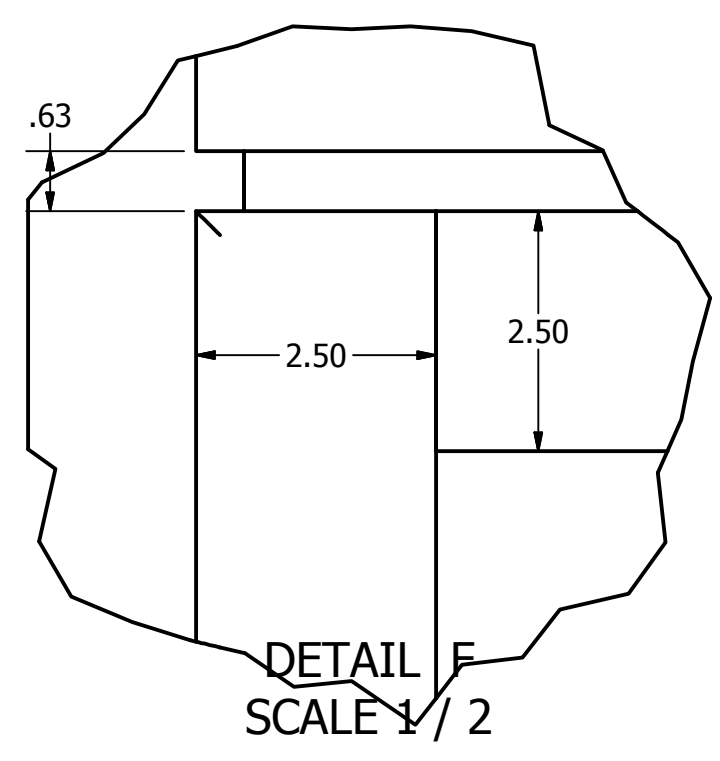
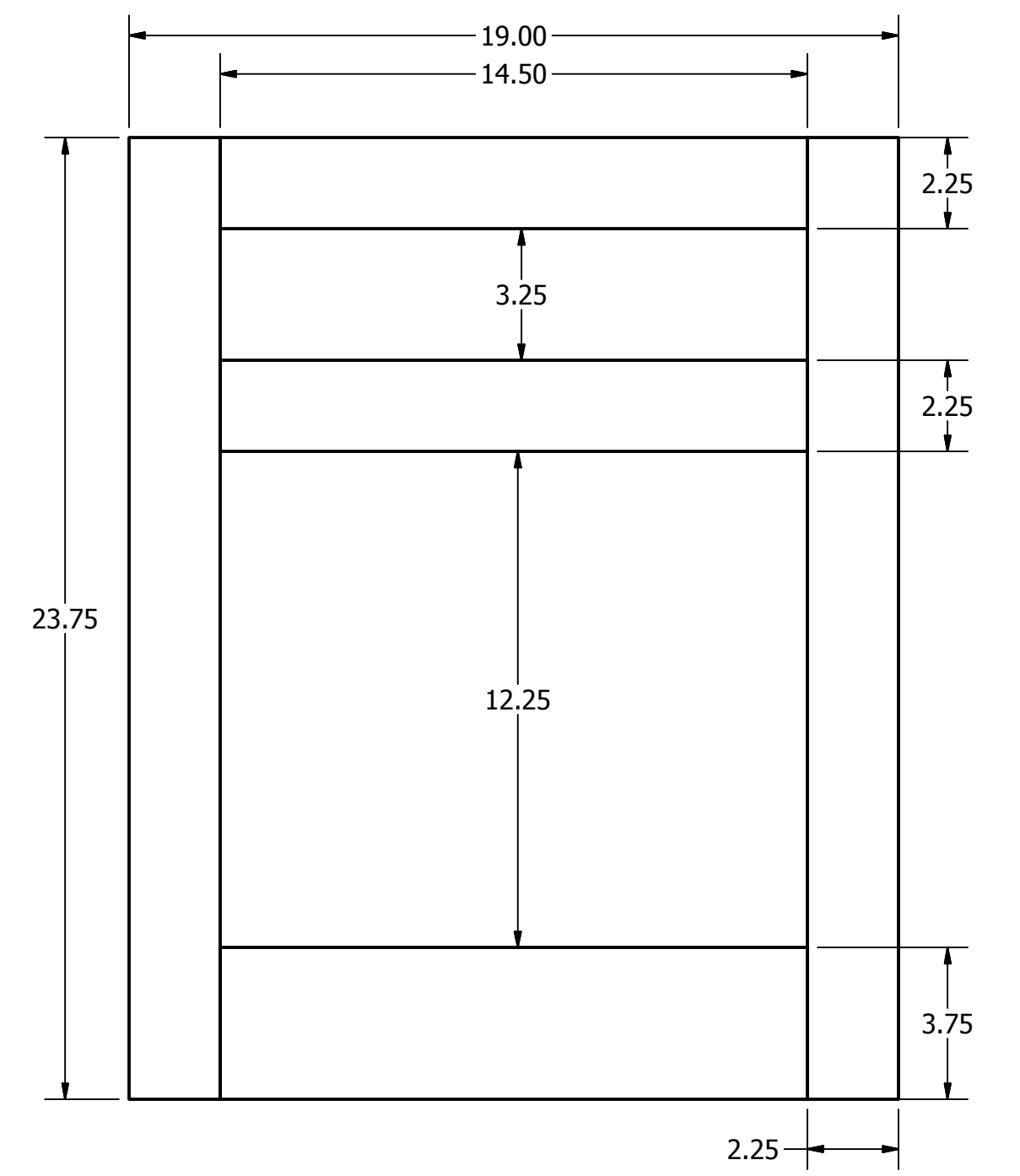
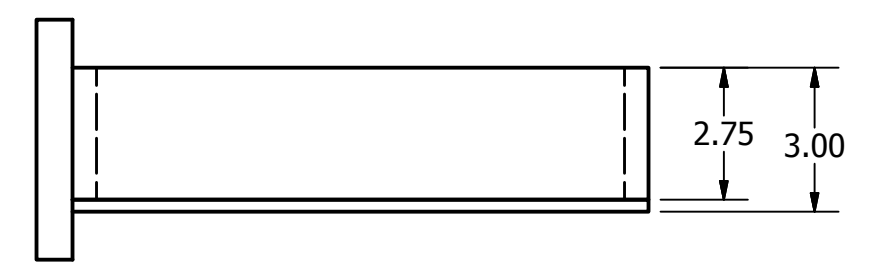


Notes:
All solid material is .75 inches thick



Drawer Detail



Face Frame Detail

DRAWN Jacob Sidor	2/22/2012	Salinas Union High School Drafting Technology	
CHECKED		TITLE Skills USA California Cabinet Making	
QA Mr. Nichols		SIZE D	REV
MFG		DWG NO CabinetDrawing1	
APPROVED		1:4	SHEET 1 OF 1