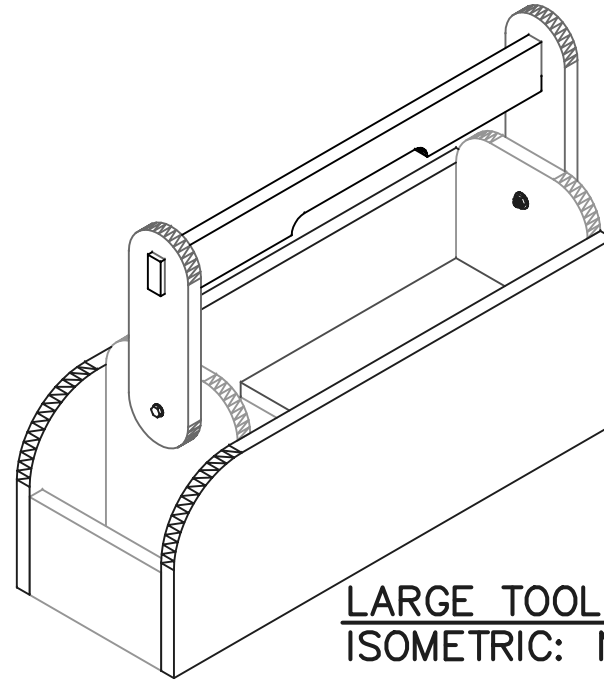
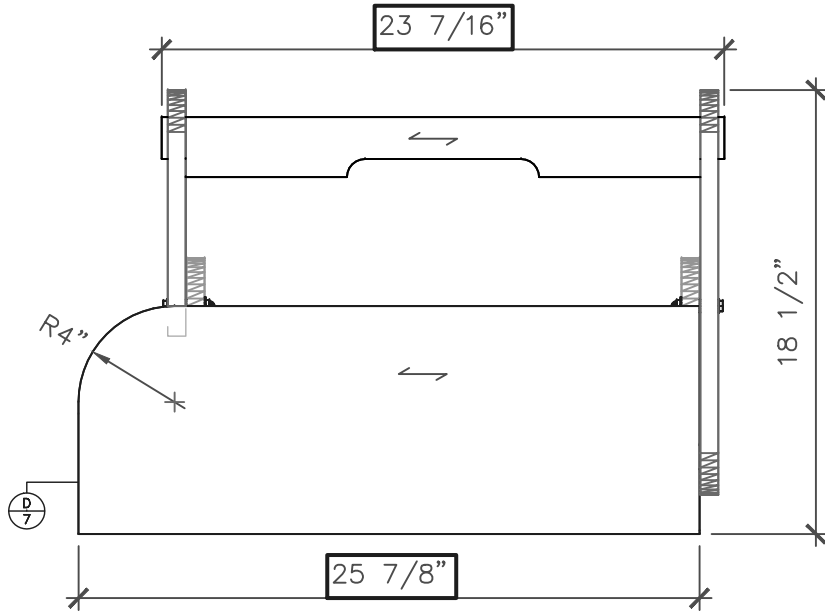


PLAN

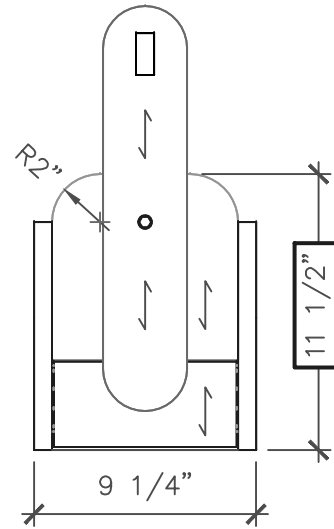
SCALE: 1-1/2"=1'-0"



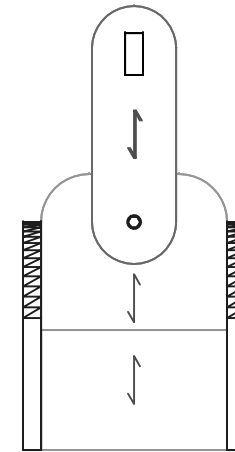
LARGE TOOL TOTE
ISOMETRIC: NTS



1 ELEVATION
SCALE: 1-1/2"=1'-0"



2 ELEVATION
SCALE: 1-1/2"=1'-0"

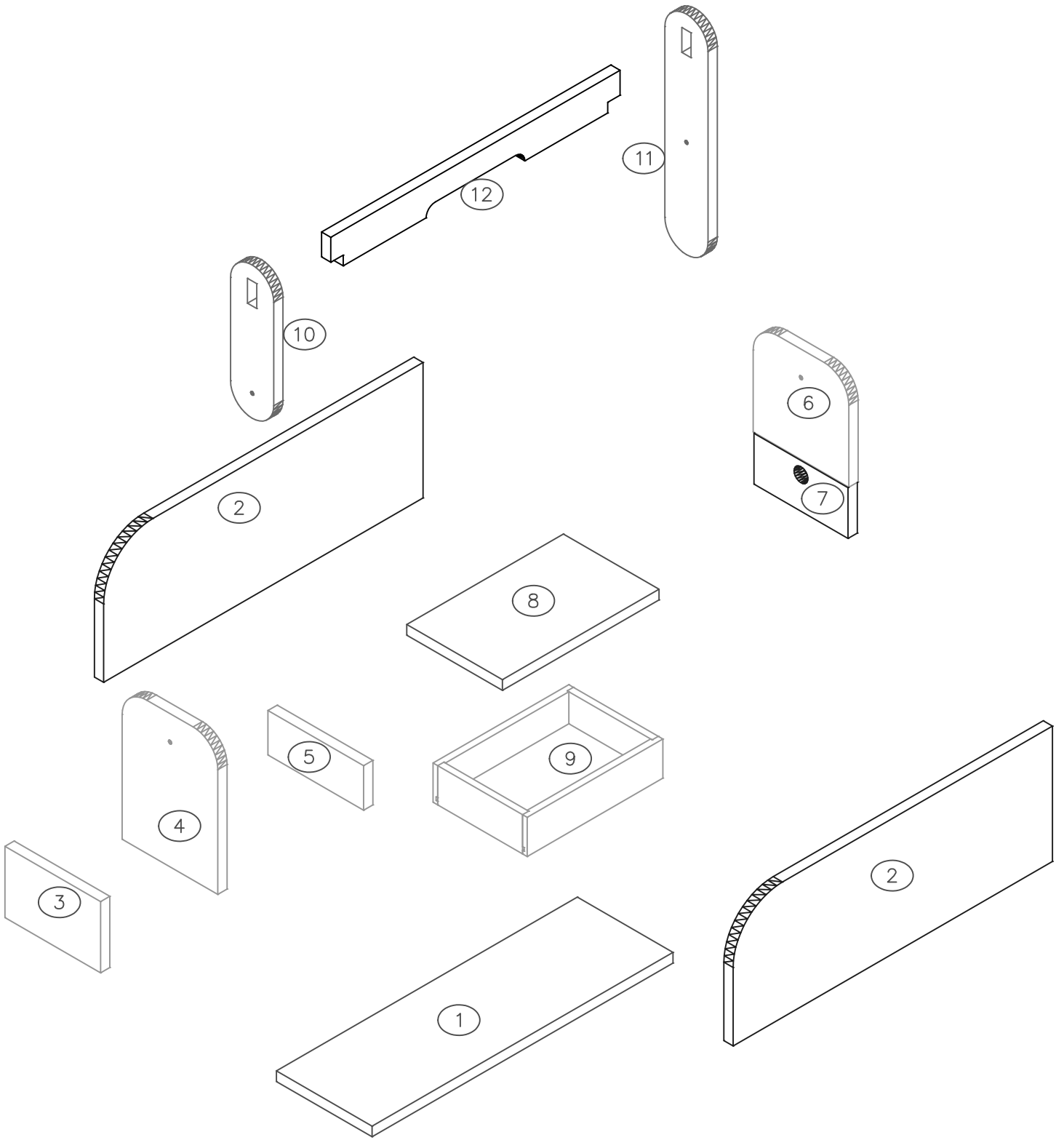


3 ELEVATION
SCALE: 1-1/2"=1'-0"

DATE: 4/15/18	JOB #: 2018
DRAWN BY: AK	SCALE: AS NOTED
DWG. NO. 1	

INTRO TO WOOD
LARGE TOOL TOTE
DRAWING





BILL OF MATERIALS CONTESTANT

#	QTY	DESCRIPTION	MATERIAL	THICKNESS	WIDTH	LENGTH	NOTES
1	1	Bottom	Solid Pine	$\frac{3}{4}$ "	$7 \frac{3}{4}$ "		Cut from $7 \frac{3}{4}$ " X 76" Piece
2	2	Sides	Solid Pine	$\frac{3}{4}$ "	$9 \frac{1}{2}$ "		Cut from $9 \frac{1}{2}$ " x 64" piece, Use Template Provided
3	1	Front	Solid Pine	$\frac{3}{4}$ "	$7 \frac{3}{4}$ "		Cut from $7 \frac{3}{4}$ " X 76" Piece
4	1	Tall Divider	Solid Pine	$\frac{3}{4}$ "	$7 \frac{3}{4}$ "		Cut from $7 \frac{3}{4}$ " X 76" Piece, Use Template Provided
5	1	Short Divider	Solid Pine	$\frac{3}{4}$ "	$7 \frac{3}{4}$ "		Cut from $7 \frac{3}{4}$ " X 76" Piece
6	1	Back	Solid Pine	$\frac{3}{4}$ "	$7 \frac{3}{4}$ "		Cut from $7 \frac{3}{4}$ " X 76" Piece, Use Template Provided
7	1	Drawer Front	Solid Pine	$\frac{3}{4}$ "	$7 \frac{5}{8}$ "		Cut from $7 \frac{3}{4}$ " X 76" Piece, cut or sand width to size
8	1	Ledge	Solid Pine	$\frac{3}{4}$ "	$2 \frac{3}{4}$ "		Cut from $7 \frac{3}{4}$ " X 76" Piece
9	1	Drawer Box	Kit	$2 \frac{3}{4}$ "	$7 \frac{5}{8}$ "		Kit of parts, assemble and glue together
10	1	Short Handle	Solid Pine	$\frac{3}{4}$ "	$3 \frac{1}{2}$ "	$10 \frac{3}{4}$ "	Cut from $3 \frac{1}{2}$ " X 40" Piece, Use Template Provided
11	1	Long Handle	Solid Pine	$\frac{3}{4}$ "	$3 \frac{1}{2}$ "	$16 \frac{7}{8}$ "	Cut from $3 \frac{1}{2}$ " X 40" Piece, Use Template Provided
12	1	Handle	Solid Pine	$\frac{3}{4}$ "	$2 \frac{1}{2}$ "		Cut from $2 \frac{1}{2}$ " X 32" Piece, Use Template Provided

NOTES:



FILL IN OPEN CELLS (10 POINTS EACH)

BILL OF MATERIALS CONTESTANT

#	QTY	DESCRIPTION	MATERIAL	THICKNESS	WIDTH	LENGTH	NOTES
1	1	Bottom	Solid Pine	$\frac{3}{4}$ "	$7 \frac{3}{4}$ "		Cut from $7 \frac{3}{4}$ " X 76" Piece
2	2	Sides	Solid Pine	$\frac{3}{4}$ "	$9 \frac{1}{2}$ "		Cut from $9 \frac{1}{2}$ " x 64" piece, Use Template Provided
3	1	Front	Solid Pine	$\frac{3}{4}$ "	$7 \frac{3}{4}$ "		Cut from $7 \frac{3}{4}$ " X 76" Piece
4	1	Tall Divider	Solid Pine	$\frac{3}{4}$ "	$7 \frac{3}{4}$ "		Cut from $7 \frac{3}{4}$ " X 76" Piece, Use Template Provided
5	1	Short Divider	Solid Pine	$\frac{3}{4}$ "	$7 \frac{3}{4}$ "		Cut from $7 \frac{3}{4}$ " X 76" Piece
6	1	Back	Solid Pine	$\frac{3}{4}$ "	$7 \frac{3}{4}$ "		Cut from $7 \frac{3}{4}$ " X 76" Piece, Use Template Provided
7	1	Drawer Front	Solid Pine	$\frac{3}{4}$ "	$7 \frac{5}{8}$ "		Cut from $7 \frac{3}{4}$ " X 76" Piece, cut or sand width to size
8	1	Ledge	Solid Pine	$\frac{3}{4}$ "	$2 \frac{3}{4}$ "		Cut from $7 \frac{3}{4}$ " X 76" Piece
9	1	Drawer Box	Kit	$2 \frac{3}{4}$ "	$7 \frac{5}{8}$ "		Kit of parts, assemble and glue together
10	1	Short Handle	Solid Pine	$\frac{3}{4}$ "	$3 \frac{1}{2}$ "	$10 \frac{3}{4}$ "	Cut from $3 \frac{1}{2}$ " X 40" Piece, Use Template Provided
11	1	Long Handle	Solid Pine	$\frac{3}{4}$ "	$3 \frac{1}{2}$ "	$16 \frac{7}{8}$ "	Cut from $3 \frac{1}{2}$ " X 40" Piece, Use Template Provided
12	1	Handle	Solid Pine	$\frac{3}{4}$ "	$2 \frac{1}{2}$ "		Cut from $2 \frac{1}{2}$ " X 32" Piece, Use Template Provided

NOTES:



FILL IN OPEN CELLS (10 POINTS EACH)

LARGE TOOL TOTE INSTRUCTIONS

FOR THIS COMPETITION YOU WILL BE GIVEN A SET OF PINE WOOD TO CUT INTO COMPONENT PARTS.

EACH PIECE OF WOOD YOU RECIEVE WILL ALREADY BE CUT TO THE CORRECT WIDTH. YOU WILL HAVE TO CUT THEM TO LENGTH AND CUT THE NOTCHES OR OTHER DETAILS. MULTIPLE COMPONENTS WILL BE CUT FROM A SINGLE PIECE OF WOOD. THE DRAWERBOX PARTS COME IN A PRE-MADE KIT.

YOU WILL USE GLUE AND NAILS TO CONNECT YOUR COMPONENTS TOGETHER.

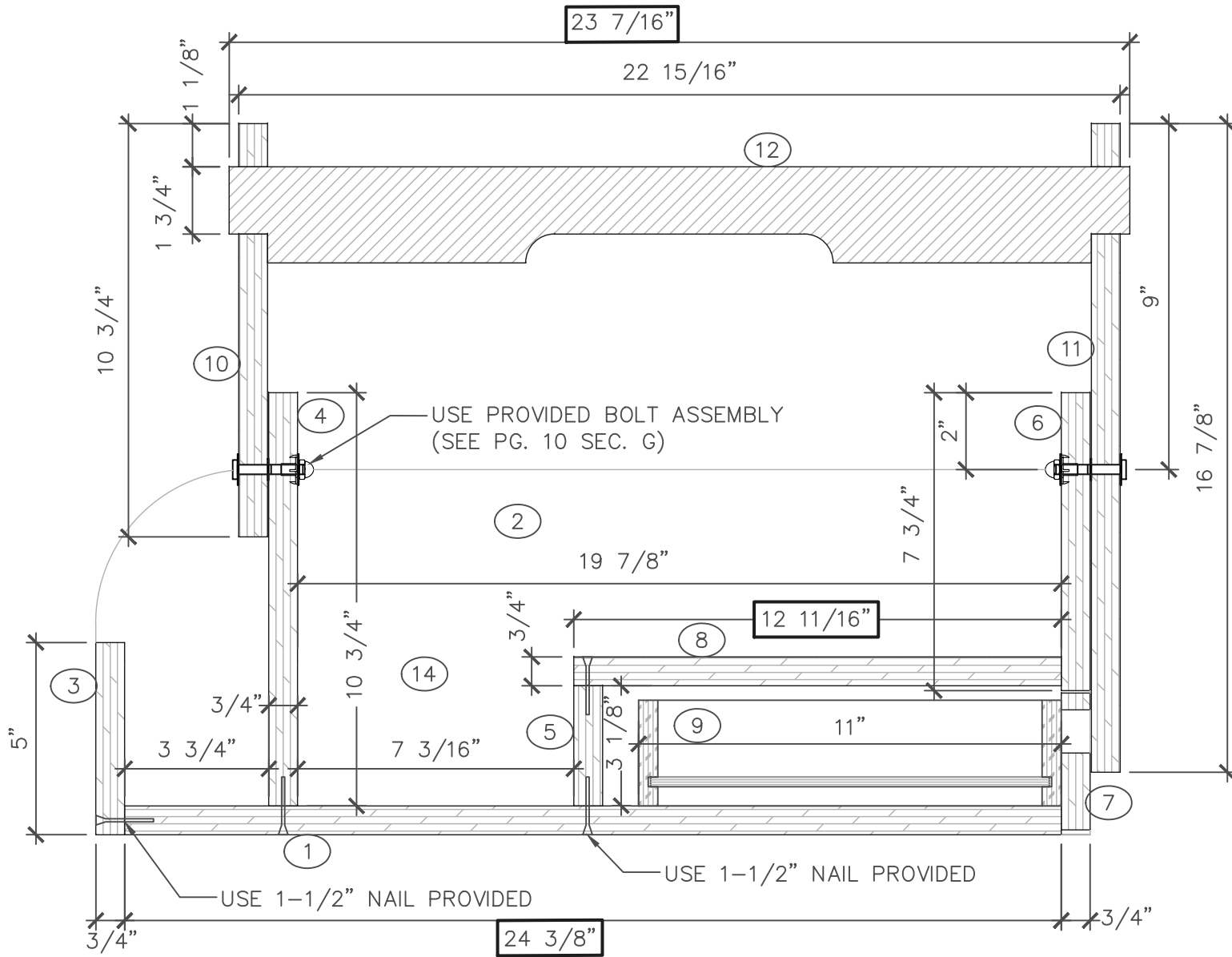
1. USE GLUE AND CLAMPS TO ASSEMBLE THE DRAWER BOX (PG 8). USE GLUE ON THE DRAWER BOX SIDES. THE BOTTOM SHOULD BE "FLOATING" AND DOES NOT REQUIRE ANY GLUE.
2. THE HANDLE WILL BE MADE OUT OF 3 PIECES (PG 10 AND 11). TEMPLATES WILL BE PROVIDED TO TRACE THE SHAPE AND LOCATE ANY HOLES OR NOTCHES. YOU WILL USE A JIG SAW OR BAND SAW TO CUT OUT THE HANDLE SIDES. DRILL HOLES AND SQUARE OUT THE CORNERS OF THE CUT-OUT ON EACH SIDE PIECE USING A SHARP CHISEL. CUT THE NOTCHES ON THE ENDS OF THE HORIZONTAL HANDLE PIECE. GLUE AND CLAMP THE HANDLE ASSEMBLY TOGETHER AFTER ALL PIECES ARE MADE TO THE CORRECT SPECIFICATIONS.
3. CUT OUT YOUR TOOL BOX PIECES. INSERT THE T-NUT INTO THE APPROPRIATE PIECES TO ATTACH THE HANDLE TO THE TOOL TOTE. USE FINISH NAILS AND GLUE TO ATTACH THE BOTTOM, SIDES, FRONT, BACK, LEDGE, AND DIVIDER PIECES.
4. CUT OUT THE DRAWER FRONT (PG 9). ATTACH THE DRAWER FRONT TO THE DRAWER BOX USING THE PROVIDED SCREWS.
5. ATTACH THE HANDLE TO THE TOOL BOX USING THE PROVIDED BOLT ASSEMBLY (PG 10). BE SURE TO PUT THE WASHERS AND LEATHER SPACER IN THE CORRECT LOCATIONS. THE LONGER SIDE OF THE HANDLE SHOULD COVER THE FINGER HOLE FOR THE DRAWER AND HOLD IT CLOSED WHEN THE HANDLE IS UP.
6. SET ALL NAILS AND PUDDY. THEN SAND ANY GLUE SPOTS, SHARP EDGES, AND ROUGH AREAS ON THE LARGE TOOL TOTE.

NOTE THE SMALL TOOL BOX FROM REGIONALS IS DESIGNED TO FIT INSIDE OF THE LARGE TOOL TOTE



INTRO TO WOOD LARGE TOOL TOTE INSTRUCTIONS

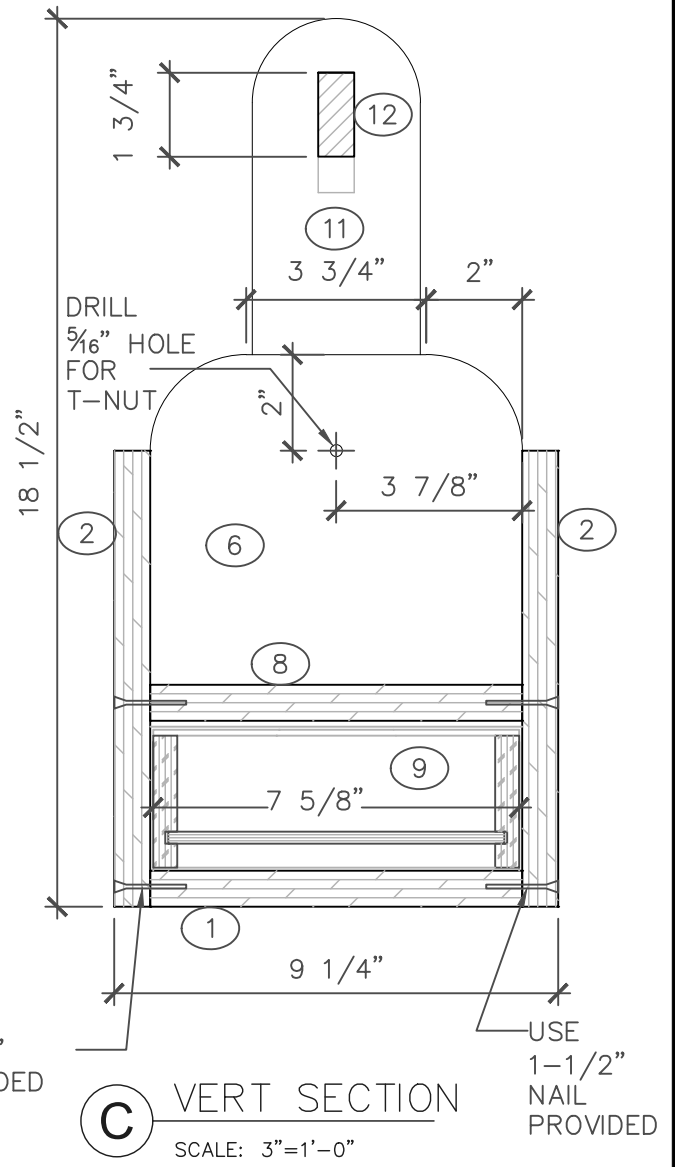
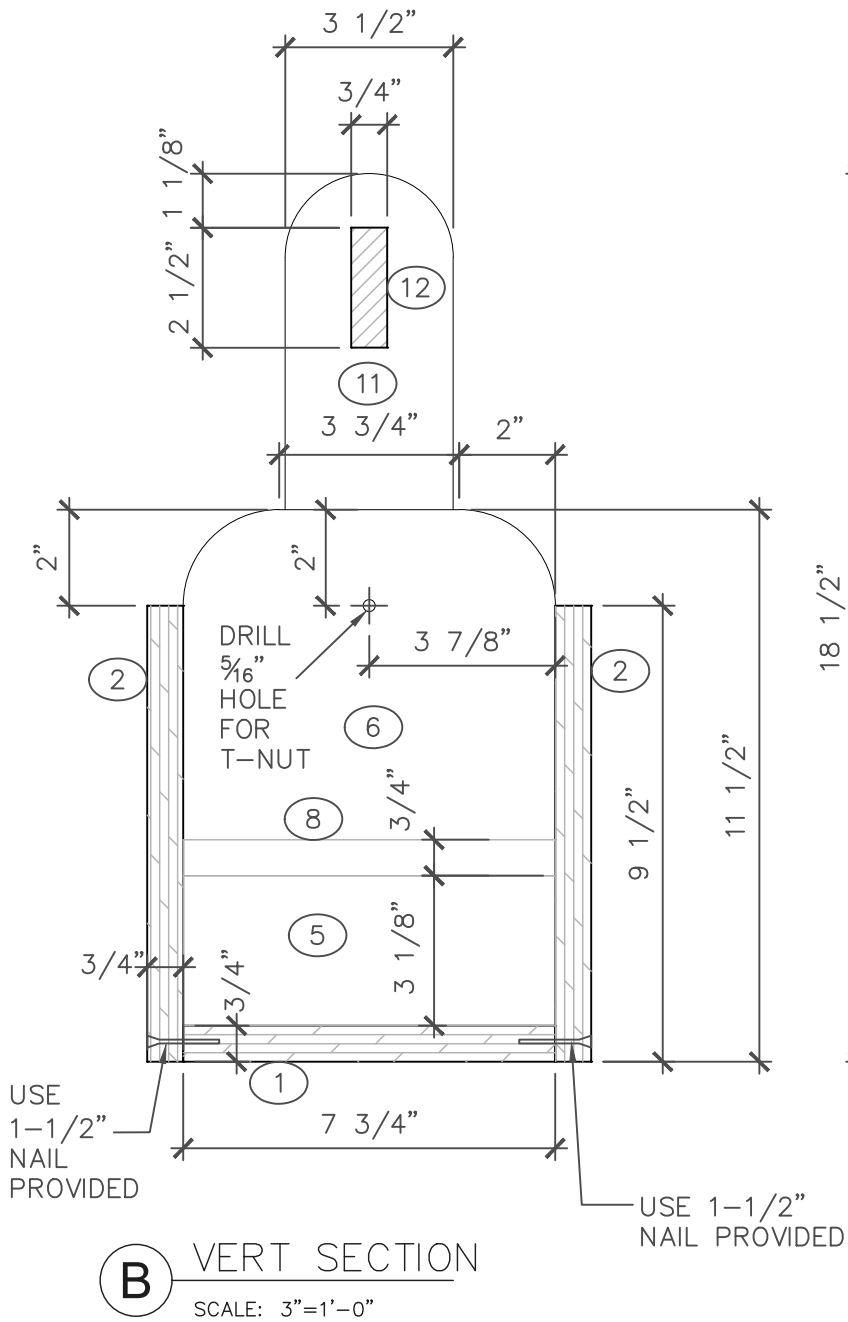
DATE: 4/15/18	JOB #: 2018
DRAWN BY: AK	SCALE: 3" = 1'-0"
DWG. NO. 4	



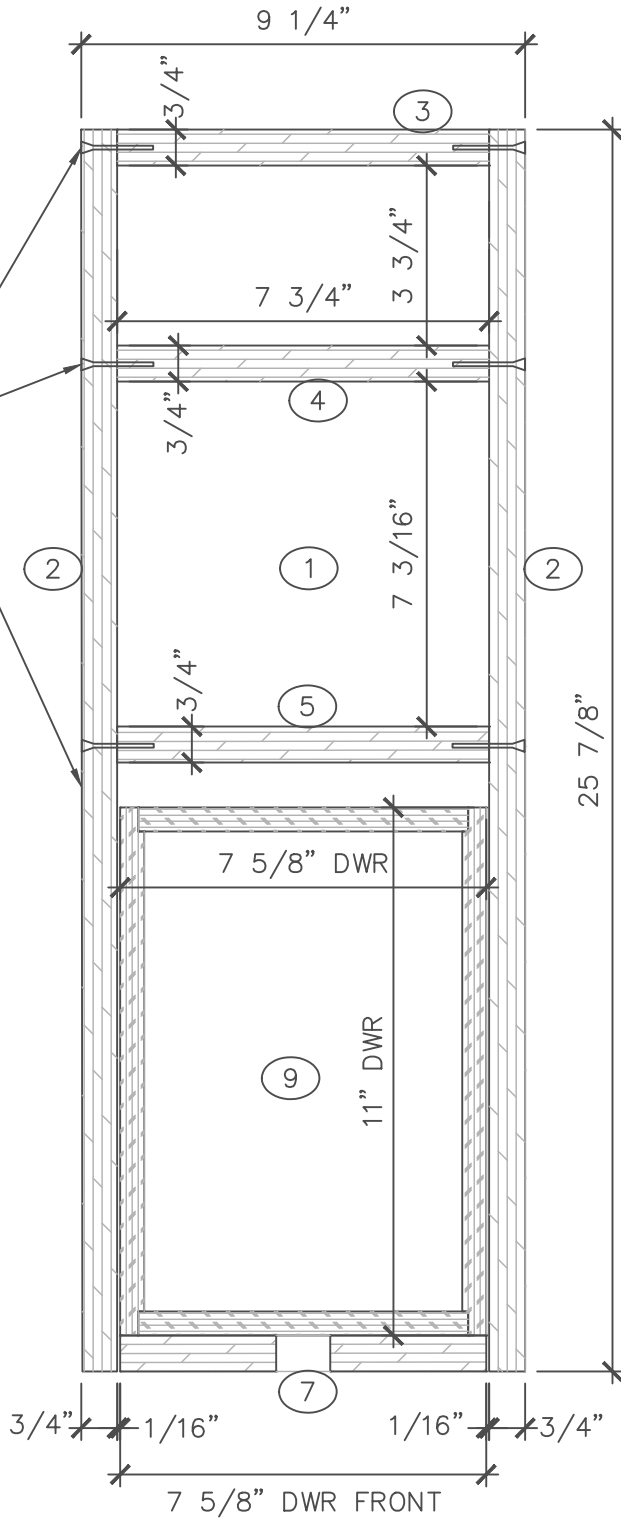
A LONGIT SECTION
 SCALE: 3"=1'-0"

DATE: 4/15/18	JOB #: 2018
DRAWN BY: AK	SCALE: AS NOTED
DWG. NO. 5	

INTRO TO WOOD
 LARGE TOOL TOTE
 SECTION



USE 1-1/2"
NAIL
PROVIDED
(BOTH SIDES)

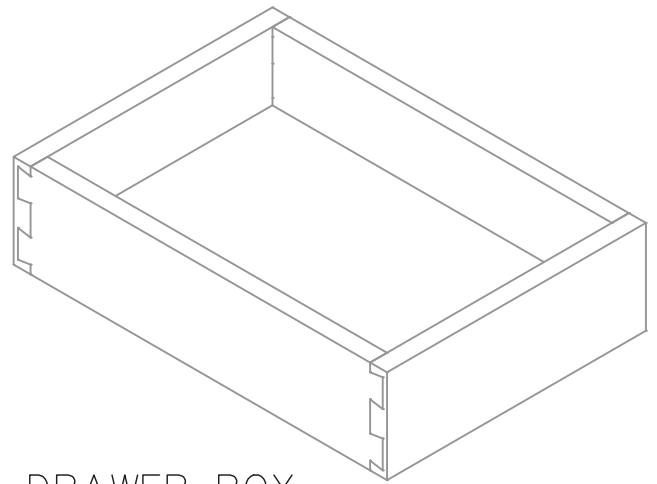
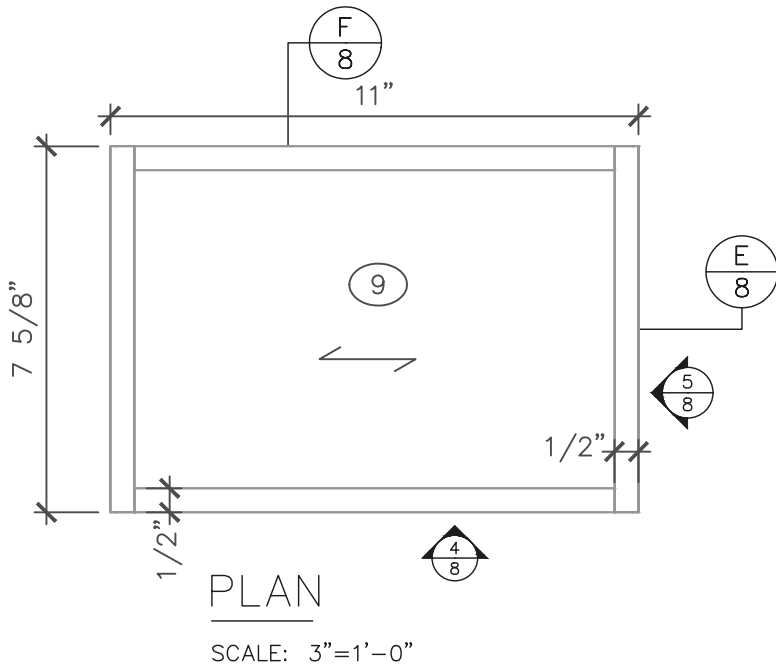


D PLAN SECTION
SCALE: 1"=1'-0"

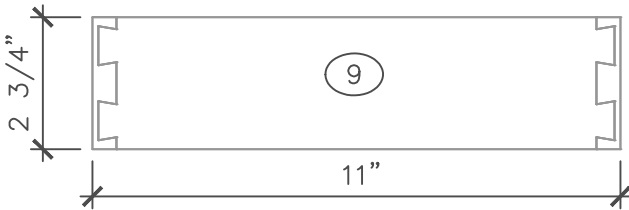


INTRO TO WOOD
LARGE TOOL TOTE
SECTION

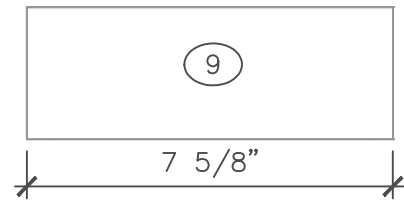
DATE: 4/15/18	JOB #: 2018
DRAWN BY: AK	SCALE: AS NOTED
DWG. NO. 7	



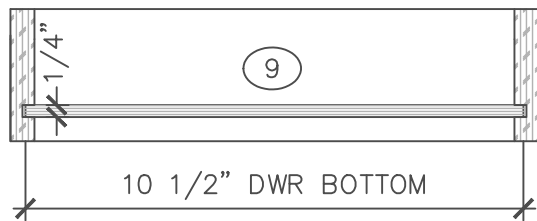
DRAWER BOX
ISOMETRIC: NTS



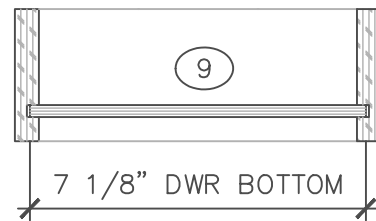
4 ELEVATION
SCALE: 3"=1'-0"



5 ELEVATION
SCALE: 3"=1'-0"



E LONGIT SECTION
SCALE: 3"=1'-0"



F VERT SECTION
SCALE: 3"=1'-0"

3 9/16"

3 13/16"

7 5/8"

1"

Ø1"

⑦

DRAWER FRONT
TEMPLATE

6

ELEVATION

SCALE: FULL



INTRO TO WOOD
DRAWER FRONT
DRAWING

DATE:
4/15/18

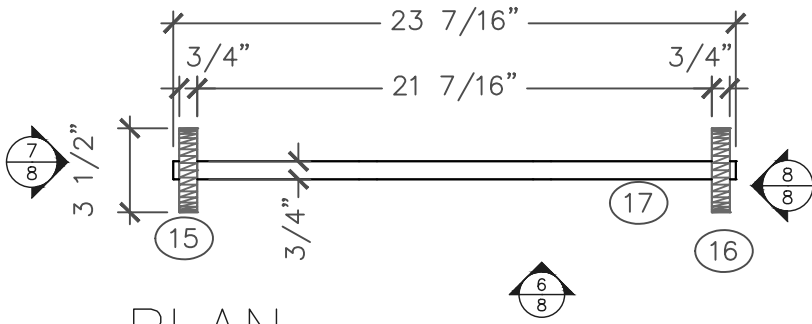
JOB #
2018

DRAWN BY:
AK

SCALE:
FULL

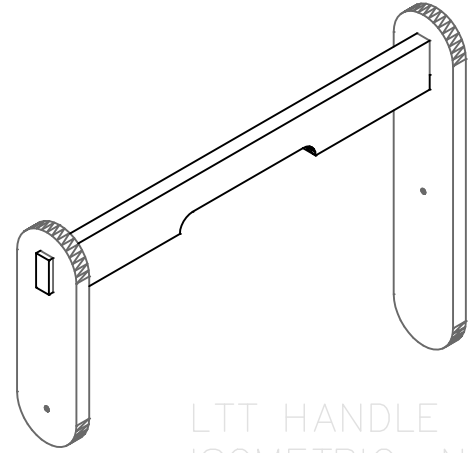
DWG. NO.

9

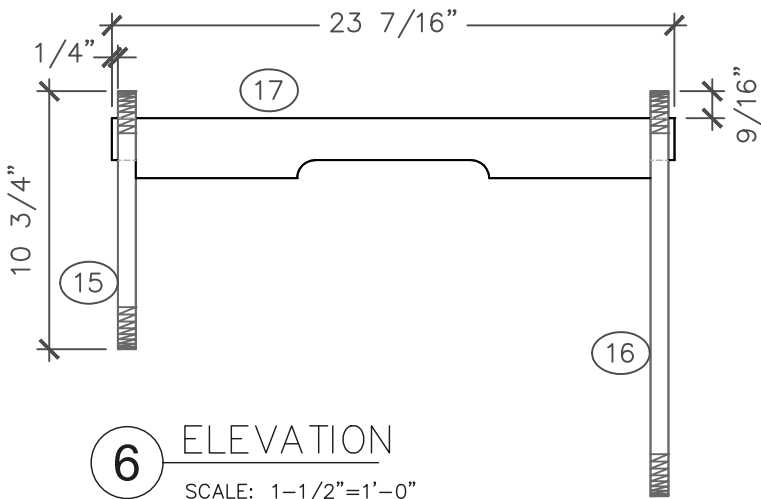


PLAN

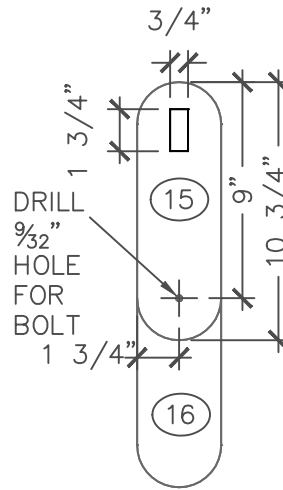
SCALE: 1-1/2"=1'-0"



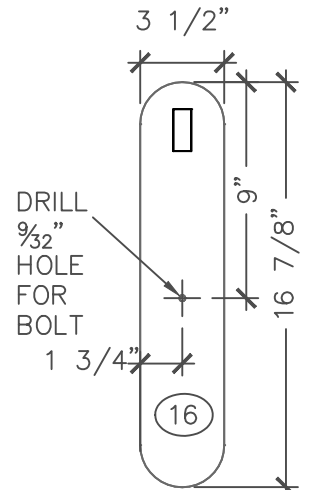
LTT HANDLE
ISOMETRIC: NTS



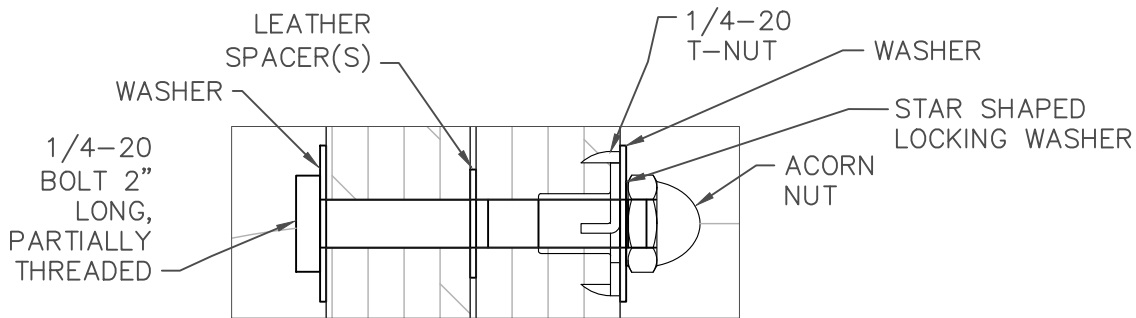
6 ELEVATION
SCALE: 1-1/2"=1'-0"



7 ELEVATION
SCALE: 1-1/2"=1'-0"



8 ELEVATION
SCALE: 1-1/2"=1'-0"



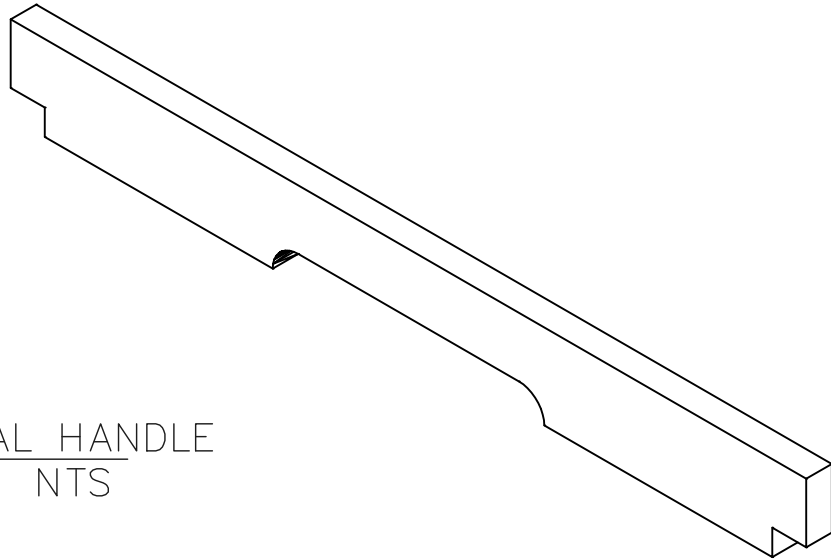
G BOLT SECTION
SCALE: FULL



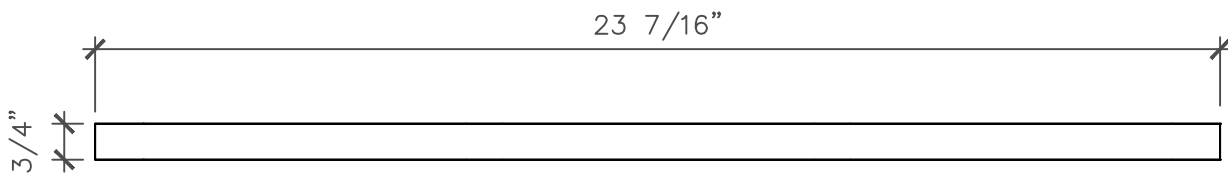
INTRO TO WOOD
HANDLE
DRAWING

DATE: 4/15/18	JOB #: 2018
DRAWN BY: AK	SCALE: AS NOTED

DWG. NO.
10

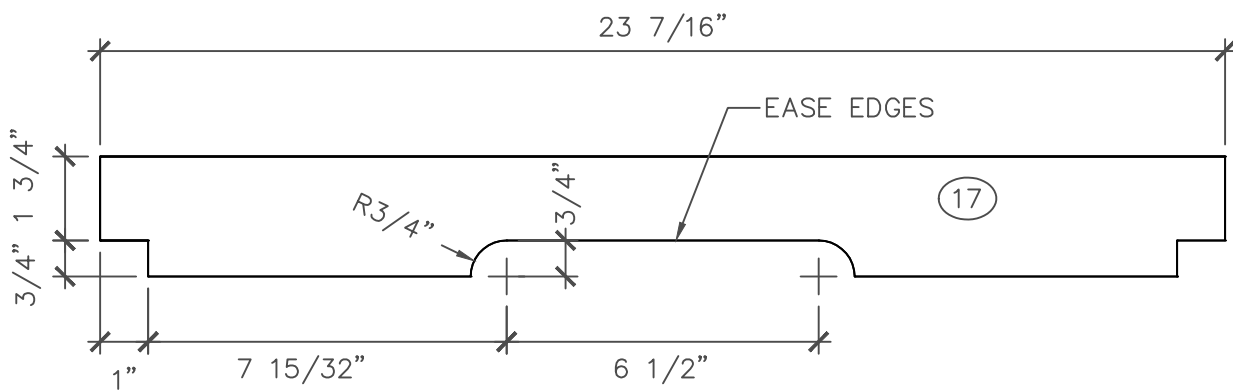


HORIZONTAL HANDLE
ISOMETRIC: NTS



PLAN

SCALE: 3"=1'-0"



7 ELEVATION
SCALE: 3"=1'-0"



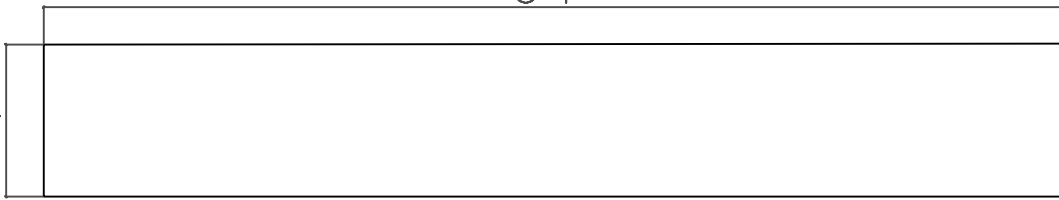
INTRO TO WOOD
HORIZONTAL
HANDLE

DATE: 4/15/18	JOB #: 2018
DRAWN BY: AK	SCALE: 3"=1'-0"
DWG. NO. 11	

Sides

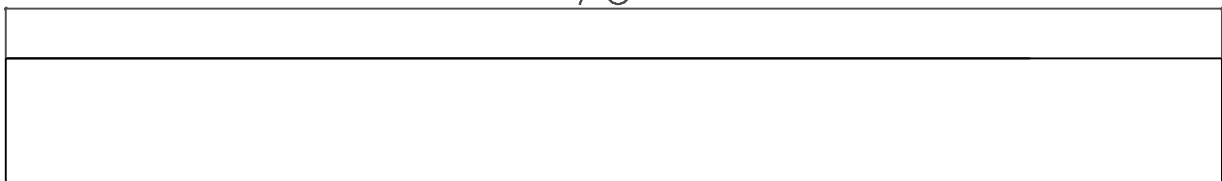
64"

9 1/2"



(2)

Front, Dividers, Back, Ledge, Bottom, Drawer Front
76"

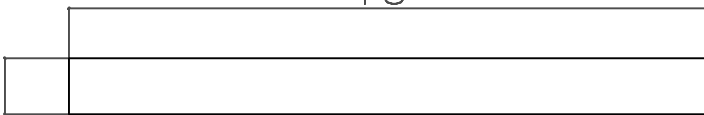


(1) (3) (4) (5) (6) (7) (8)

Handle Vertical Pieces

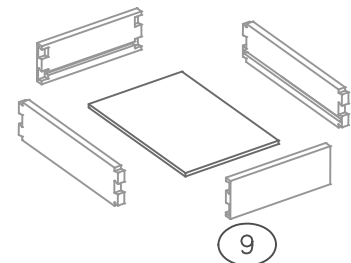
40"

3 1/2"



(10) (11)

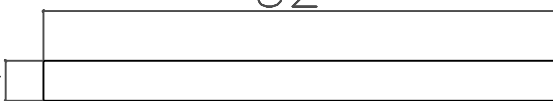
Drawer Box Kit



Handle - Horizontal Piece

32"

2 1/2"



(12)



INTRO TO WOOD
 TOOL TOTE
 MATERIAL WORKSHEET

DATE: 4/15/18	JOB #: 2018
DRAWN BY: AK	SCALE: 1"=1'-0"
DWG. NO. 12	