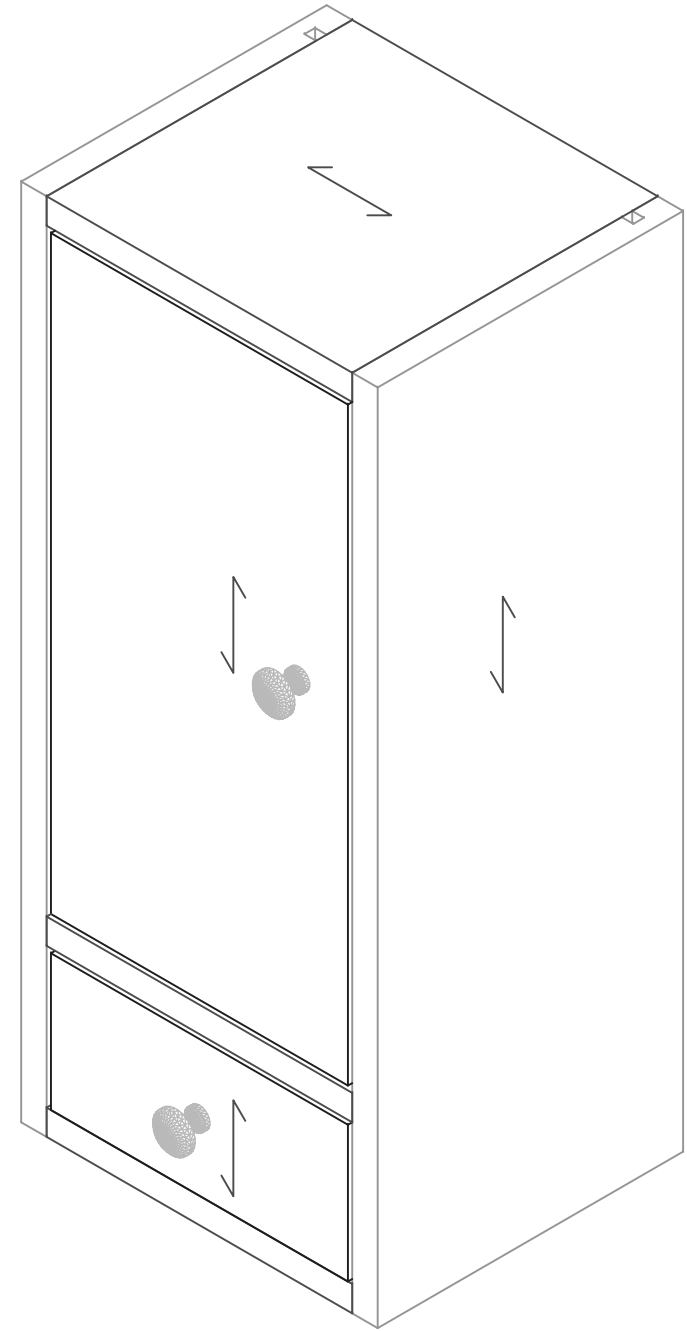
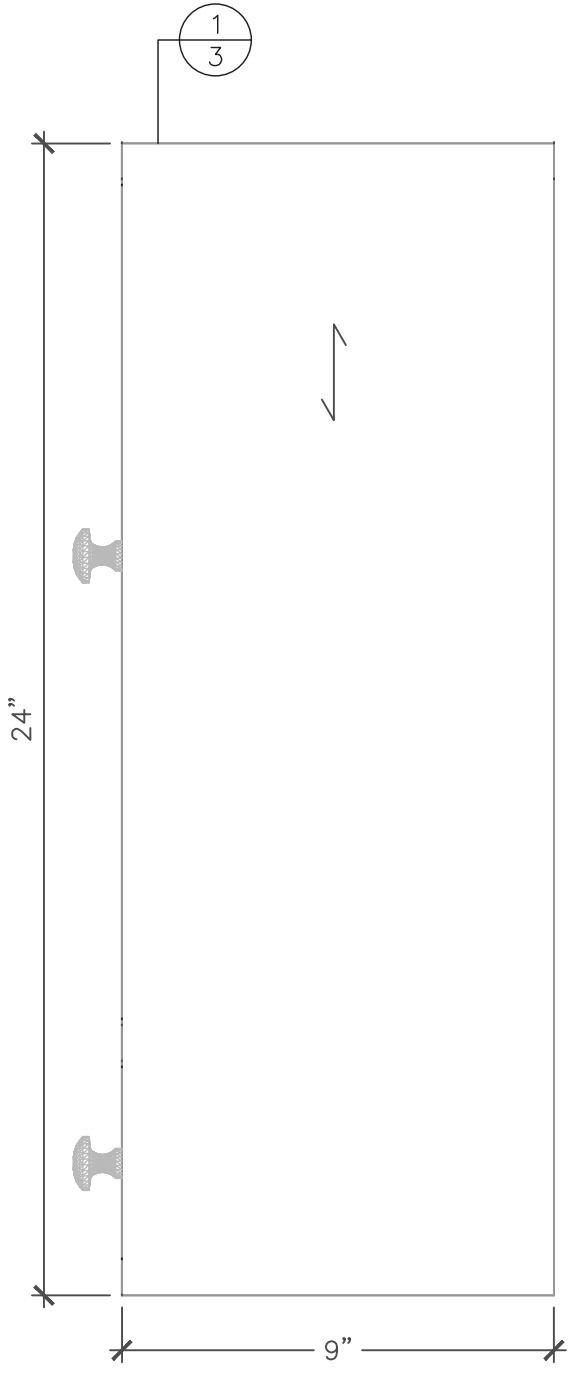
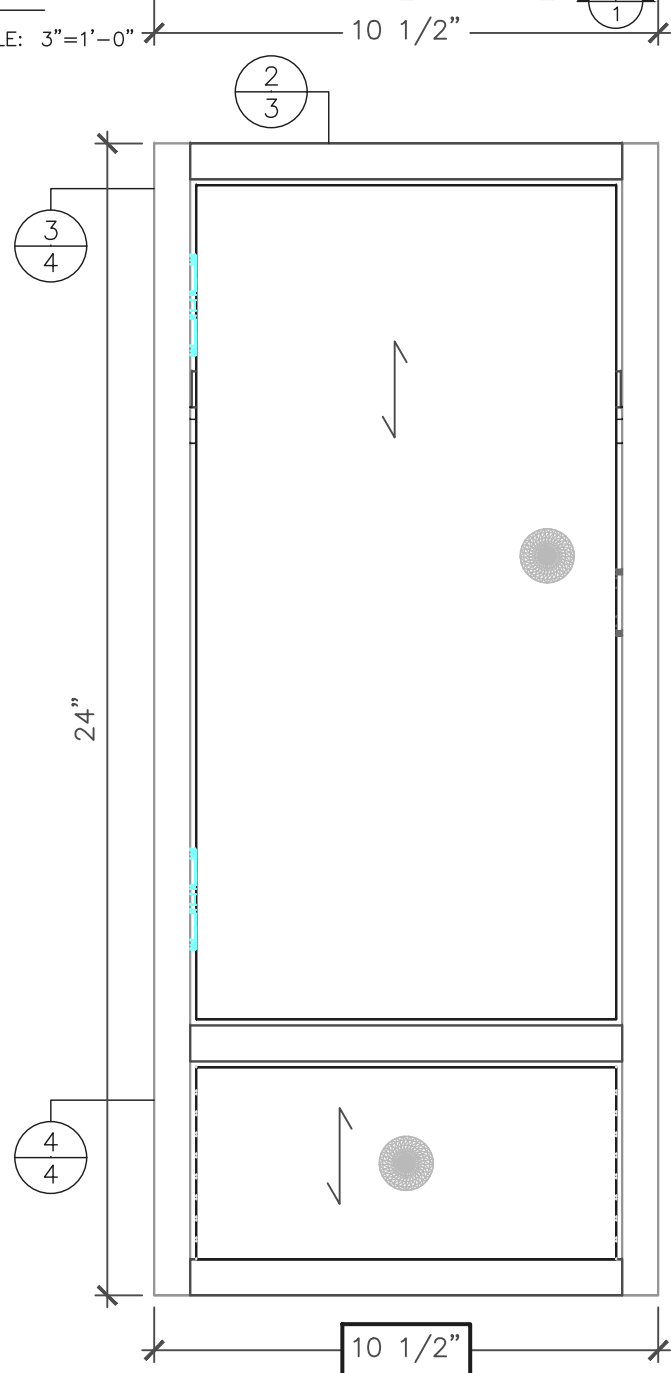
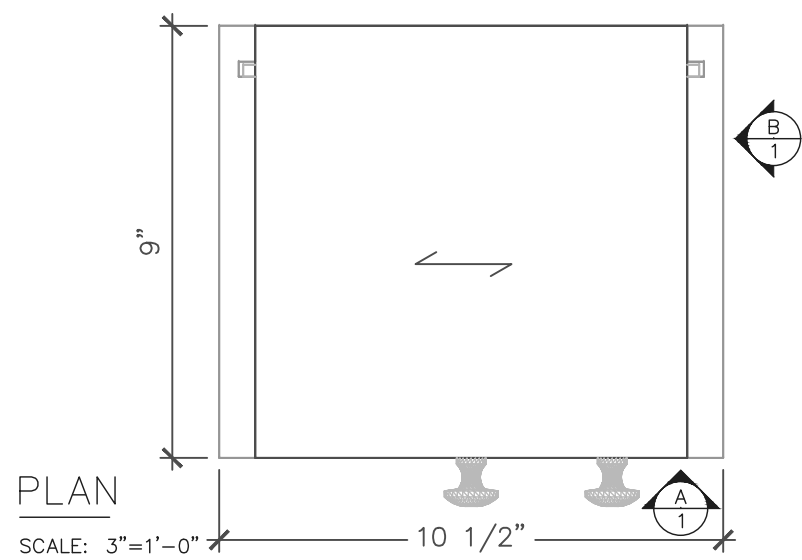


SkillsUSA

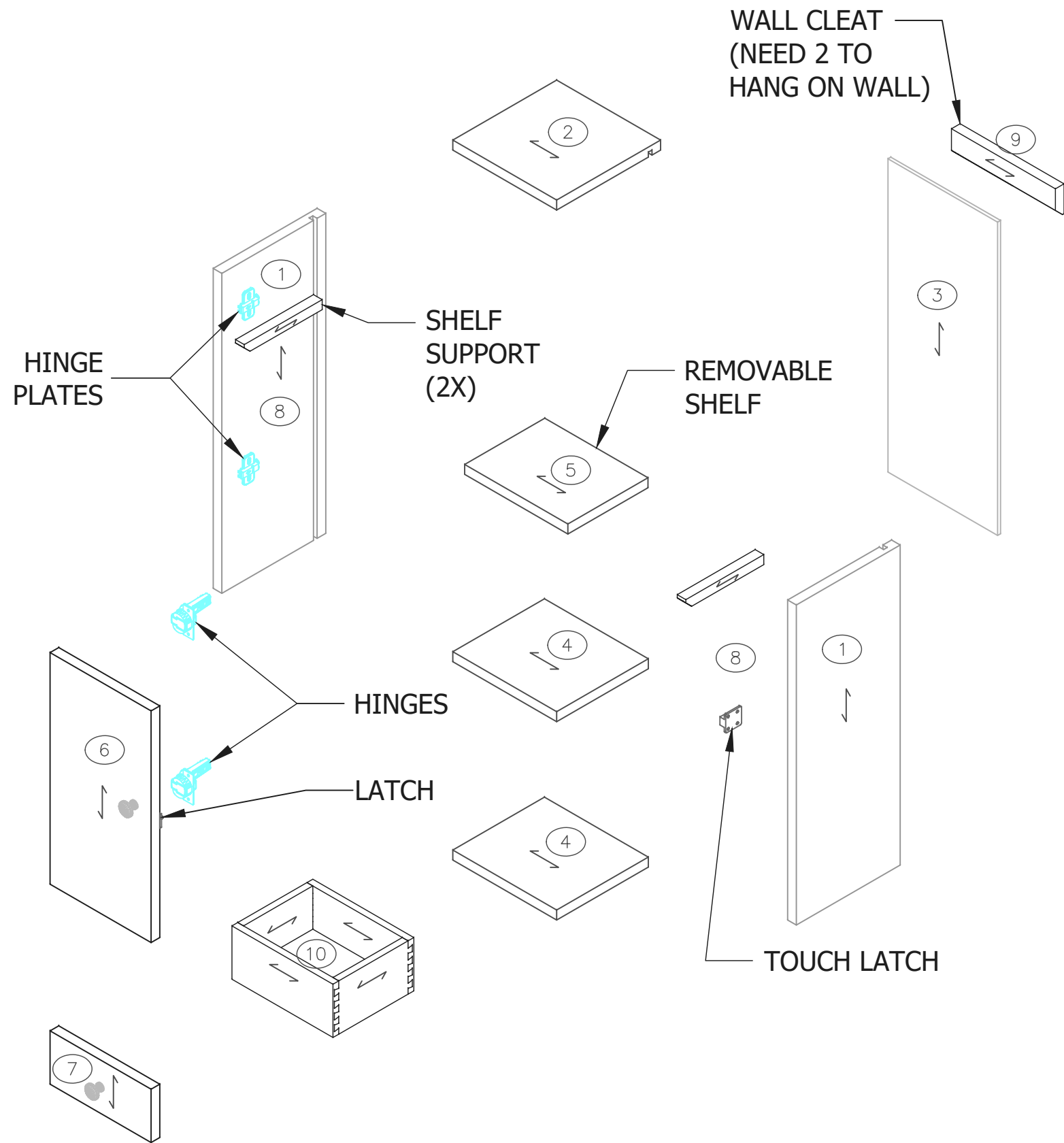
CALIFORNIA STATE CONTEST



SkillsUSA
CALIFORNIA STATE CONTEST

ITEM: WALL HUNG CABINET	
DATE: APRIL	COMPETITION DATE: 2019
SCALE: AS NOTED	DWG #: 1
DRAWN BY: AK	

SPECIAL SPONSORS:



YOU WILL RECEIVE:

PLYWOOD:

- 1 PC @ $\frac{3}{4}$ " X 9" X 70"± FOR PARTS ①②
- 1 PC @ $\frac{1}{4}$ " X 9 $\frac{1}{2}$ " X 32"± FOR PART ③
- 1 PC @ $\frac{3}{4}$ " X 8" X 26"± FOR PARTS ④
- 1 PC @ $\frac{3}{4}$ " X 7" X 13"± FOR PART ⑤
- 1 PC @ $\frac{3}{4}$ " X 8 $\frac{3}{4}$ " X 31"± FOR PARTS ⑥⑦
- 1 PC @ $\frac{3}{4}$ " X 2 $\frac{3}{8}$ " X 24"± FOR PARTS ⑨

SOLID:

- 1 PC POPLAR @ $\frac{3}{4}$ " X $\frac{3}{4}$ " X 15" FOR PARTS ⑧

PRE-MADE:

- DOVETAILED DRAWER BOX FROM KIT ⑩

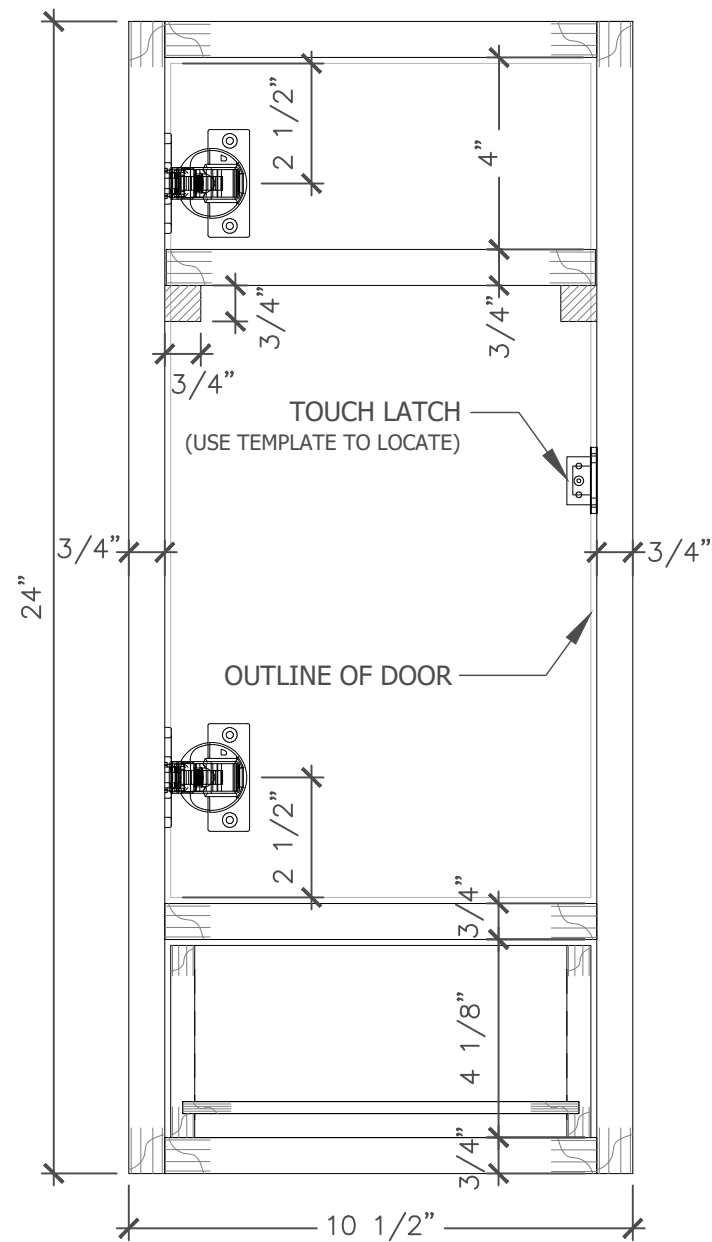
SkillsUSA
CALIFORNIA STATE CONTEST

ITEM: WALL HUNG CABINET	
DATE: APRIL	COMPETITION DATE: 2019
SCALE: NTS	DWG #: 2
DRAWN BY: AK	

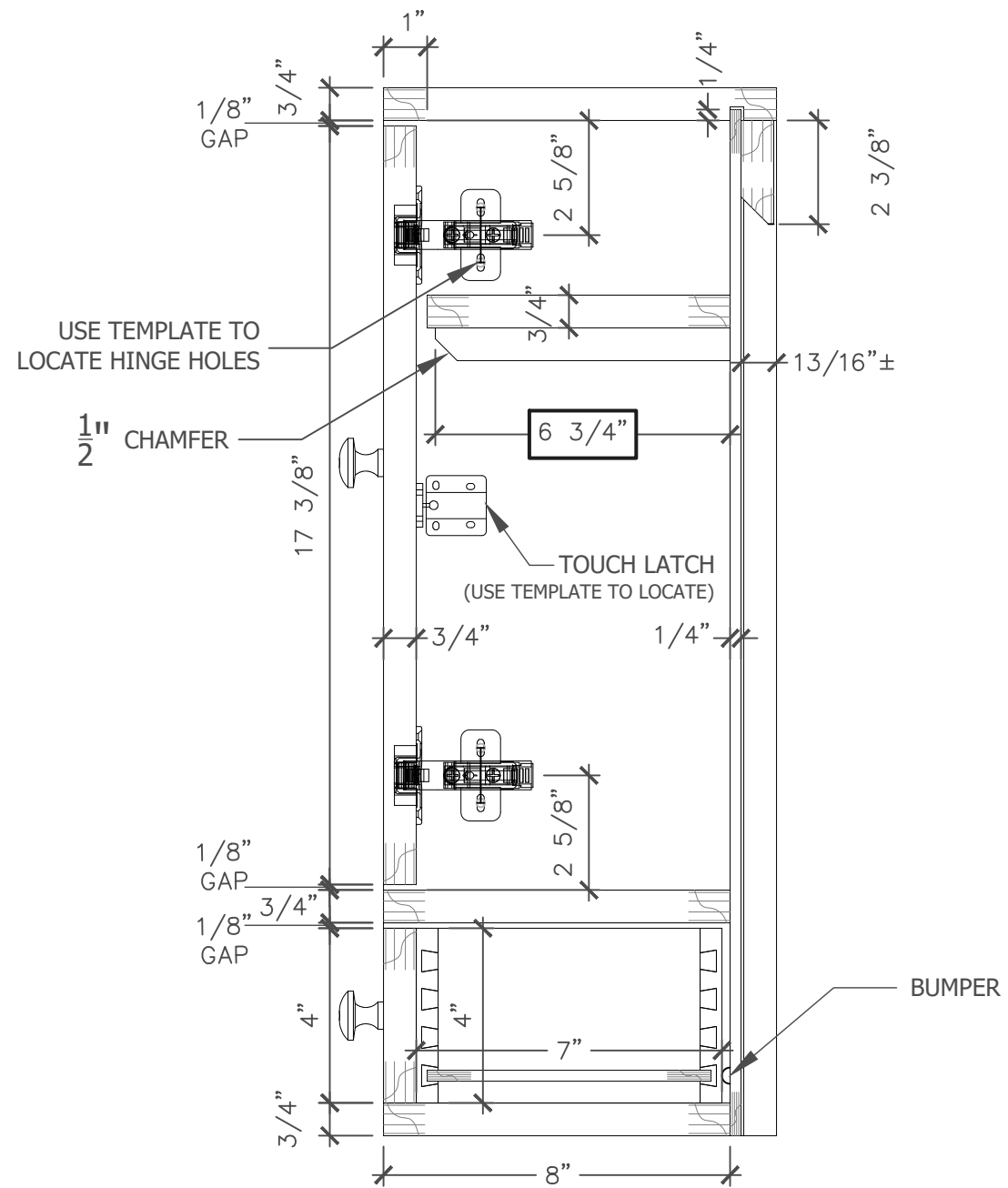
SPECIAL SPONSORS:

SkillsUSA

CALIFORNIA STATE CONTEST



1 LONGITUDINAL SECTION
SCALE: 3"=1'-0"



2 VERTICAL SECTION
SCALE: 3"=1'-0"

SkillsUSA
CALIFORNIA STATE CONTEST

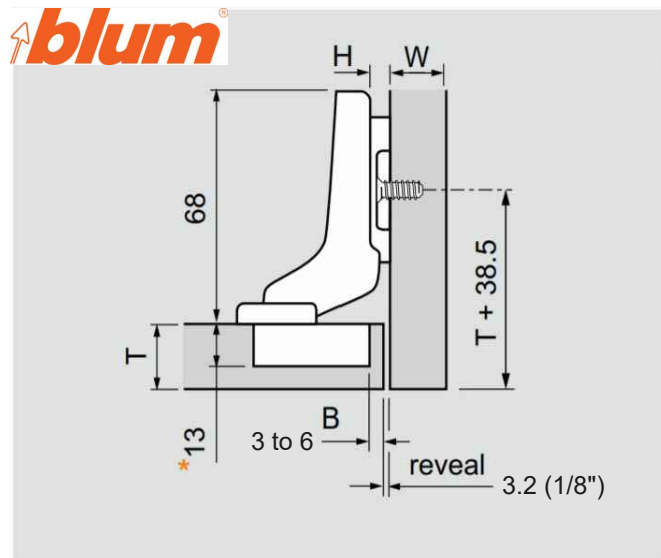
ITEM: WALL HUNG CABINET

DATE: APRIL	COMPETITION DATE: 2019
SCALE: AS NOTED	DWG #: 3
DRAWN BY: AK	

SPECIAL SPONSORS:

AWFS
ASSOCIATION OF WOODWORKING & FURNISHINGS SUPPLIERS

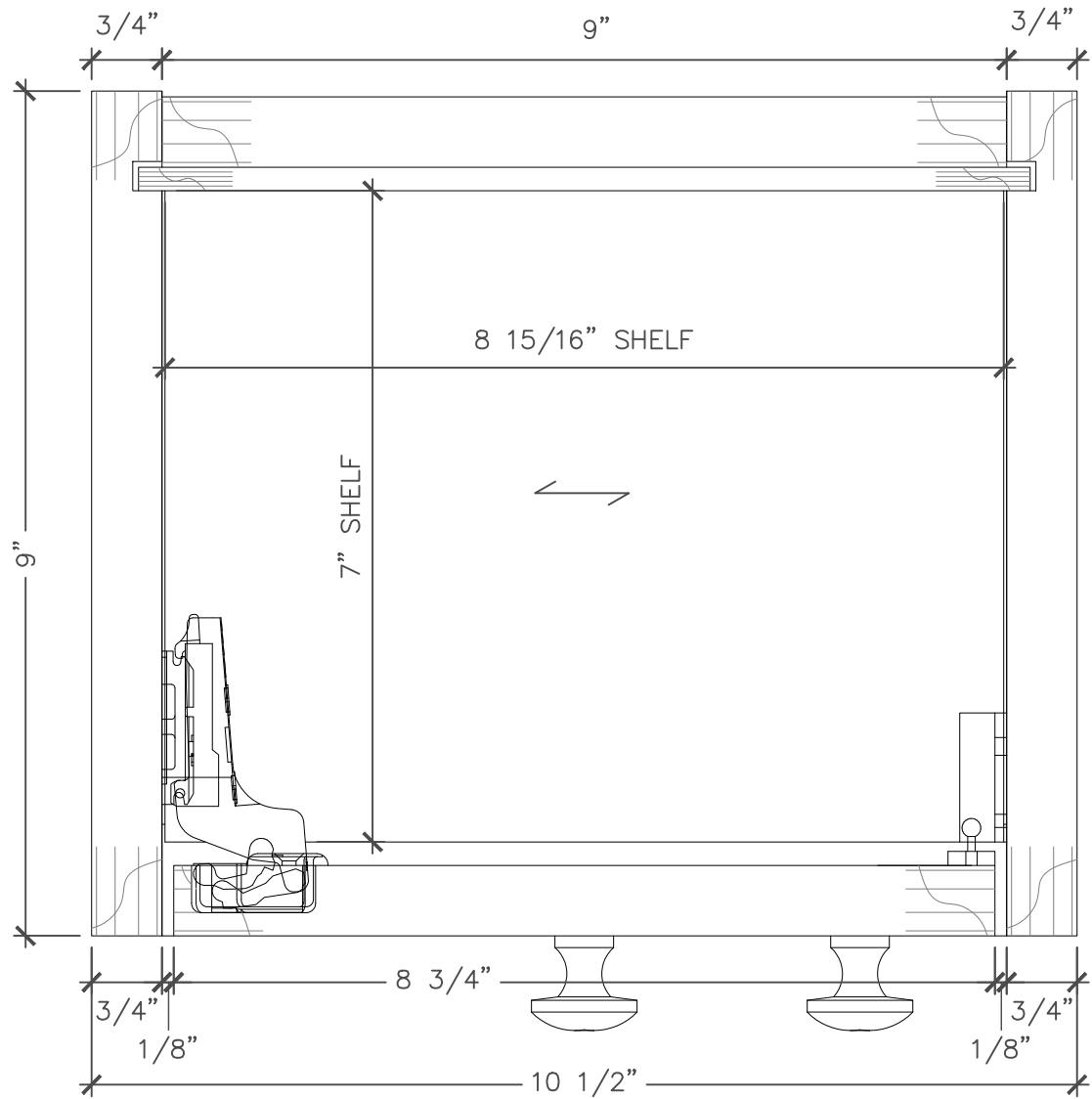
AWM
SOCIETY OF WOOD FURNISHING



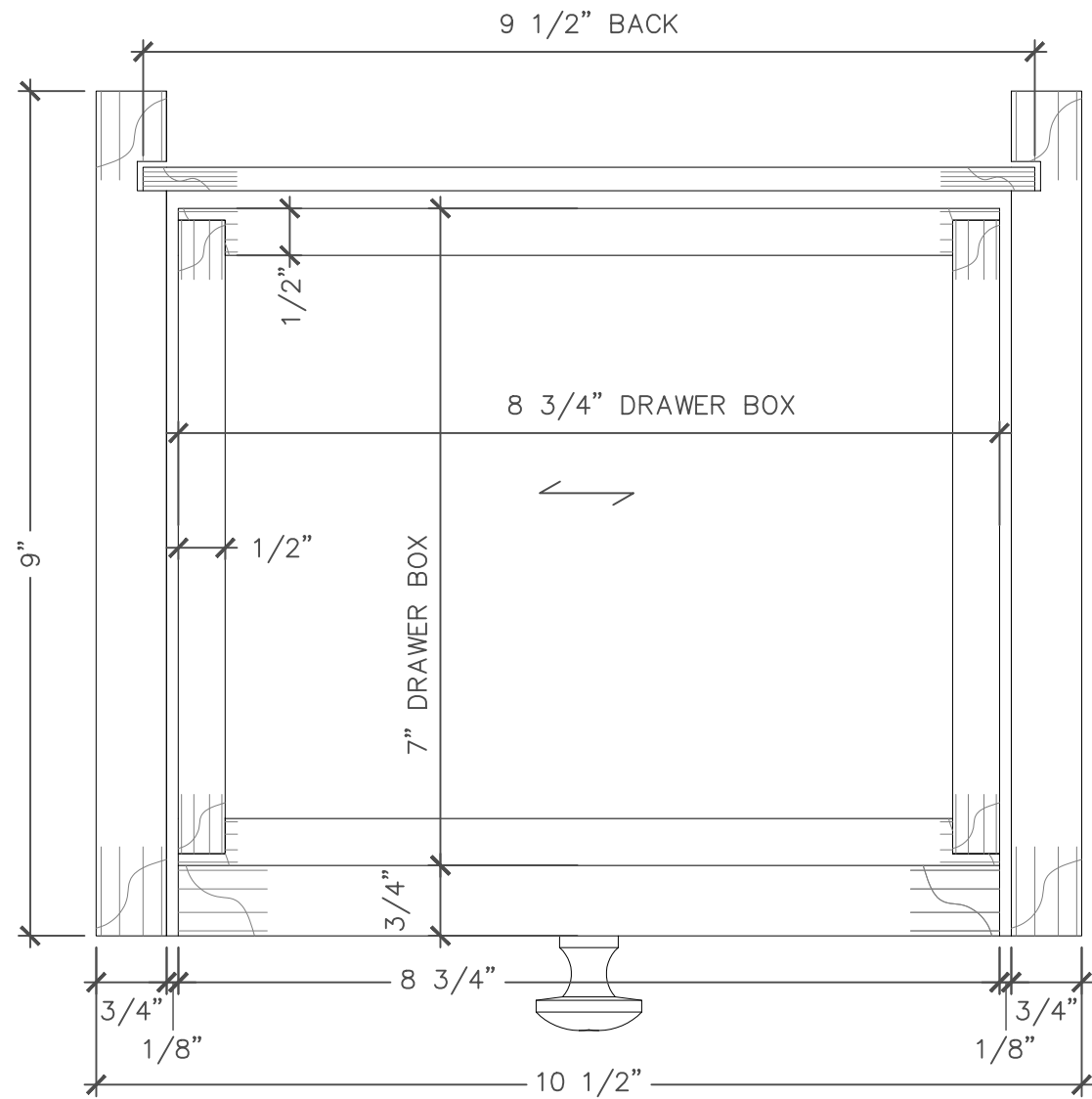
*All 35 mm and 8 mm holes must be a minimum of 13 mm deep

SkillsUSA

CALIFORNIA STATE CONTEST



3 PLAN SECTION
SCALE: 6"=1'-0"



4 PLAN SECTION
SCALE: 6"=1'-0"

SkillsUSA
CALIFORNIA STATE CONTEST

ITEM: WALL HUNG CABINET

DATE: APRIL	COMPETITION DATE: 2019
SCALE: AS NOTED	DWG #: 4
DRAWN BY: AK	

SPECIAL SPONSORS:

NOTES:

BILL OF MATERIALS (10 POINTS EACH)

#	QTY	DESCRIPTION	MATERIAL	THICKNESS	WIDTH	LENGTH	NOTES
1	2	Case End	Baltic Birch	$\frac{3}{4}$ "	9"		Pre-Grooved, Cut to Length
2	1	Case Top	Baltic Birch	$\frac{3}{4}$ "	9"		Pre-Grooved, Cut to Length
3	1	Case Back	Baltic Birch	$\frac{1}{4}$ "	9 $\frac{1}{2}$ "		Cut to Length
4	2	Bottom & Deck	Baltic Birch	$\frac{3}{4}$ "	8"		Cut to Length
5	1	Removable Shelf	Baltic Birch	$\frac{3}{4}$ "	7"		Cut to Length
6	1	Door	Baltic Birch	$\frac{3}{4}$ "	8 $\frac{3}{4}$ "		Cut to Length
7	1	Drawer Front	Baltic Birch	$\frac{3}{4}$ "	8 $\frac{3}{4}$ "		Cut to Length
8	2	Shelf Support	Poplar	$\frac{3}{4}$ "	$\frac{3}{4}$ "		Cut to Length
9	2	Wall Cleat	Baltic Birch	$\frac{3}{4}$ "	2 $\frac{3}{8}$ "		Cut to Length
10	1	Drawer Box Kit	Pre Finished	$\frac{1}{2}$ ", 4" Height	8 $\frac{3}{4}$ "		Drawer Box Kit

SkillsUSA CALIFORNIA STATE CONTEST

ITEM: WALL HUNG CABINET

DATE: APRIL COMPETITION DATE: 2019

SCALE: DWG #:

DRAWN BY: AK BOM

SPECIAL SPONSORS:



NOTES:

BILL OF MATERIALS (10 POINTS EACH)

#	QTY	DESCRIPTION	MATERIAL	THICKNESS	WIDTH	LENGTH	NOTES
1	2	Case End	Baltic Birch	$\frac{3}{4}$ "	9"		Pre-Grooved, Cut to Length
2	1	Case Top	Baltic Birch	$\frac{3}{4}$ "	9"		Pre-Grooved, Cut to Length
3	1	Case Back	Baltic Birch	$\frac{1}{4}$ "	9 $\frac{1}{2}$ "		Cut to Length
4	2	Bottom & Deck	Baltic Birch	$\frac{3}{4}$ "	8"		Cut to Length
5	1	Removable Shelf	Baltic Birch	$\frac{3}{4}$ "	7"		Cut to Length
6	1	Door	Baltic Birch	$\frac{3}{4}$ "	8 $\frac{3}{4}$ "		Cut to Length
7	1	Drawer Front	Baltic Birch	$\frac{3}{4}$ "	8 $\frac{3}{4}$ "		Cut to Length
8	2	Shelf Support	Poplar	$\frac{3}{4}$ "	$\frac{3}{4}$ "		Cut to Length
9	2	Wall Cleat	Baltic Birch	$\frac{3}{4}$ "	2 $\frac{3}{8}$ "		Cut to Length
10	1	Drawer Box Kit	Pre Finished	$\frac{1}{2}$ ", 4" Height	8 $\frac{3}{4}$ "		Drawer Box Kit

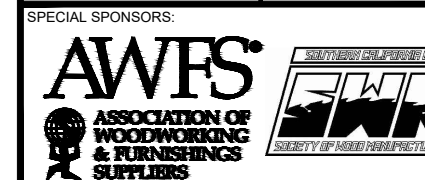
SkillsUSA CALIFORNIA STATE CONTEST

ITEM: WALL HUNG CABINET

DATE: APRIL COMPETITION DATE: 2019

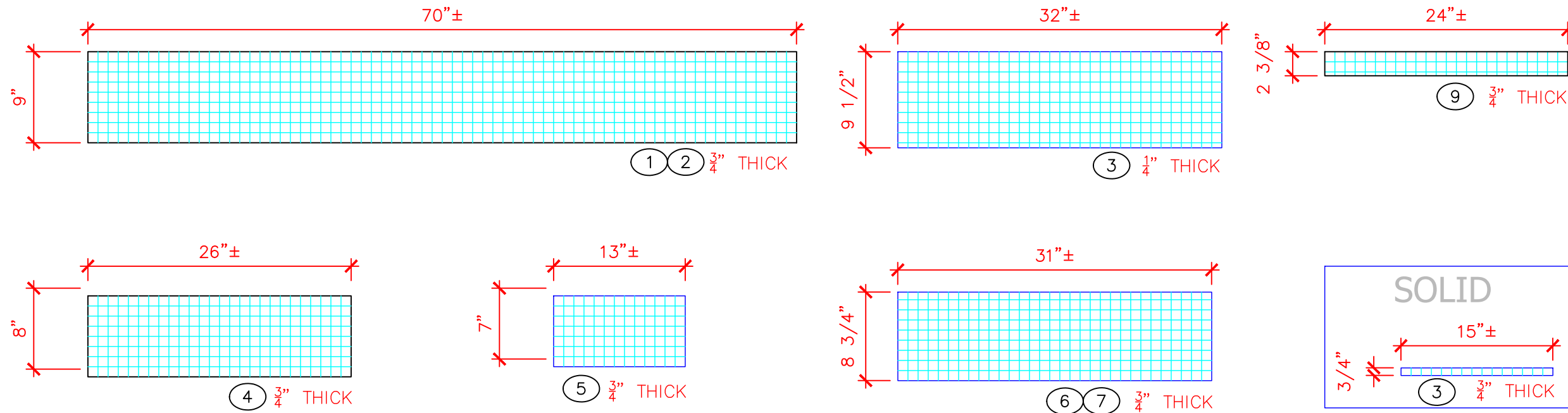
SCALE: DWG #:

DRAWN BY: AK BOM



2019 State Conference Introductory Woodworking Materials

SHEET STOCK



MATERIAL LAYOUT INSTRUCTIONS

Once you've completed your Bill of Materials, lay out the parts on each corresponding piece of material. Do this by drawing a line vertically and/or horizontally to indicate saw cut. Label each piece with the part name and overall dimensions. Draw an "X" on any scrap pieces. Pay close attention to the grain direction of each piece.

Note: Each square is scaled to 1" Squared.

SkillsUSA	
CALIFORNIA	
STATE CONTEST	
ITEM: WALL HUNG CABINET	
DATE: APRIL	COMPETITION DATE: 2019
SCALE: 1"=1'-0"	DWG #: LAYOUT
DRAWN BY: AK	
SPECIAL SPONSORS:	
AWFS ASSOCIATION OF WOODWORKING & FURNISHINGS SUPPLIERS	SMITHSONIAN INSTITUTION SOCIETY OF AMERICAN WOODWORKERS