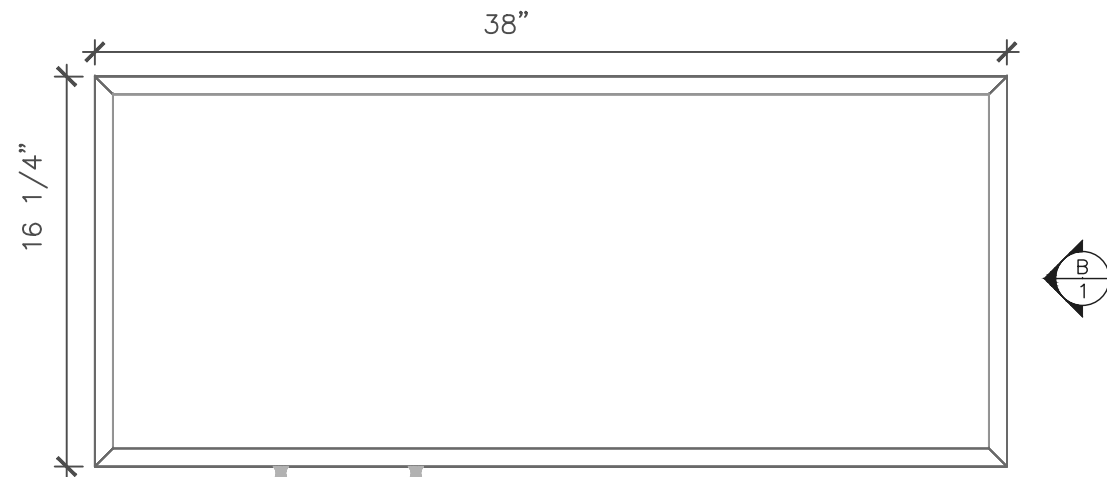


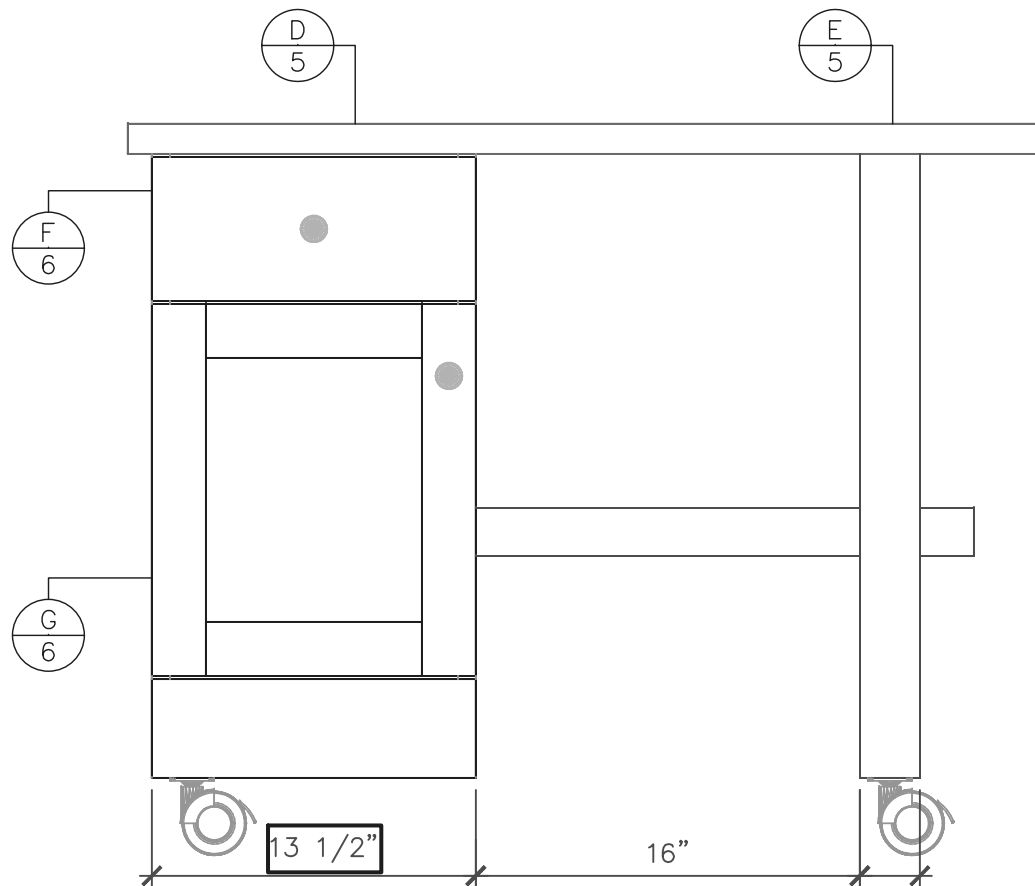
SkillsUSA

CALIFORNIA STATE CONTEST



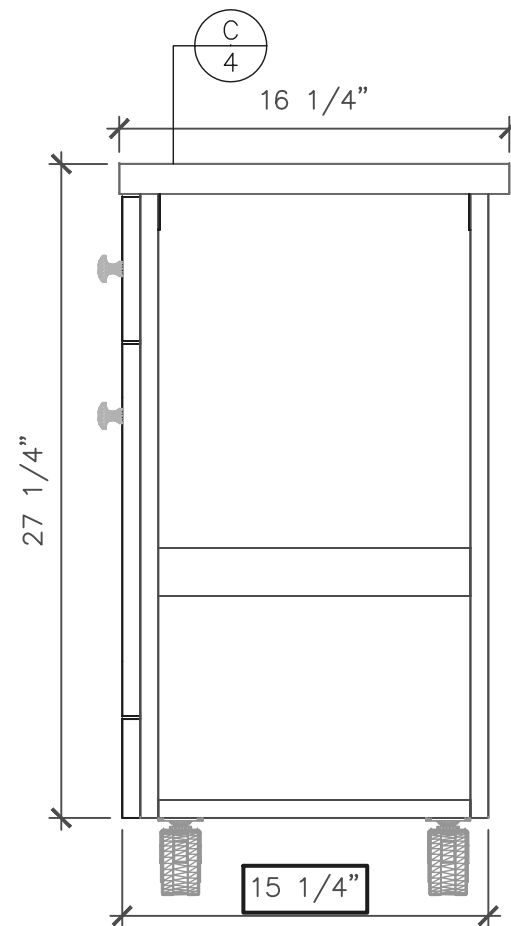
PLAN

SCALE: 1-1/2"=1'-0"



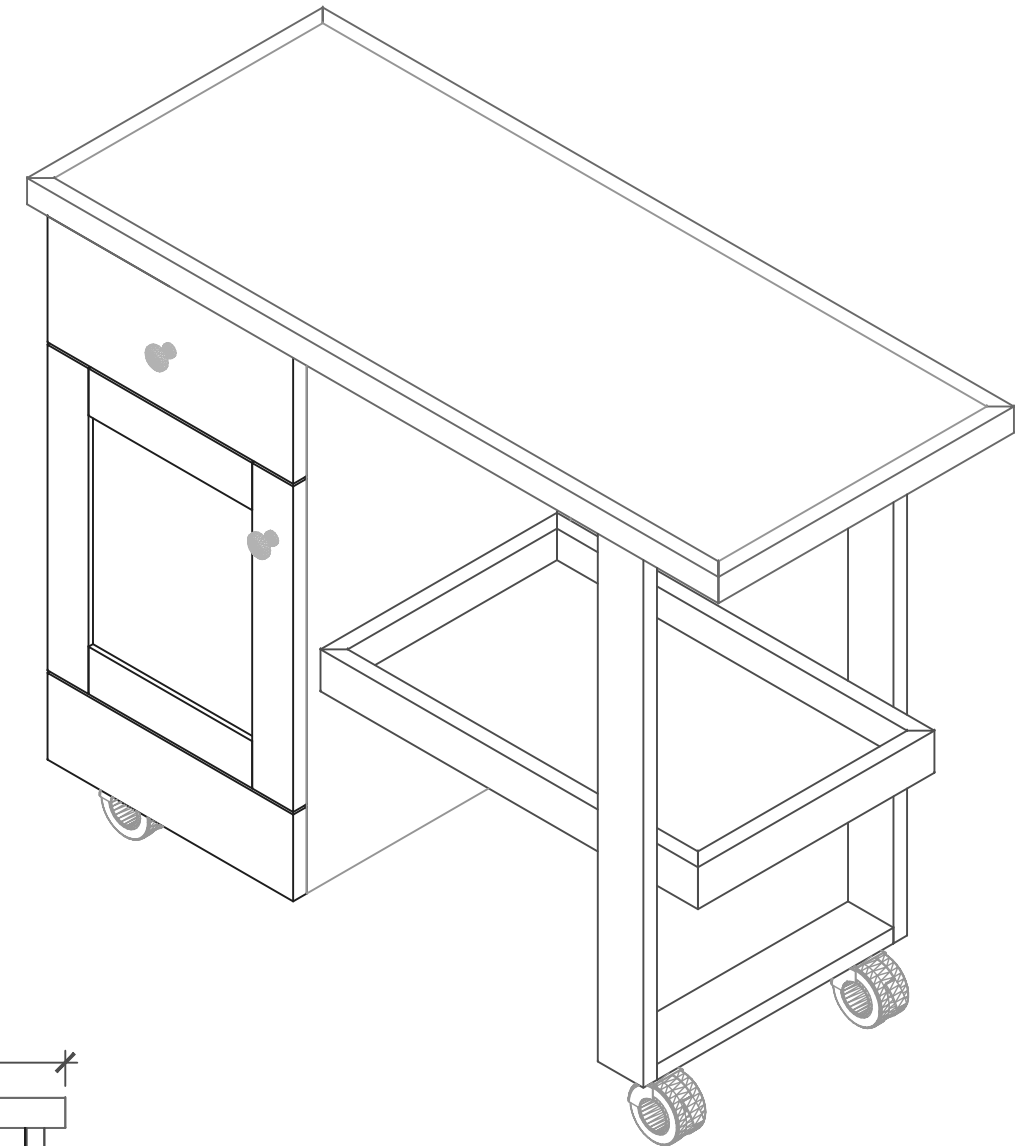
A ELEVATION

SCALE: 1-1/2"=1'-0"



B ELEVATION

SCALE: 1-1/2"=1'-0"



SkillsUSA

CALIFORNIA STATE CONTEST

ITEM: STORAGE CART

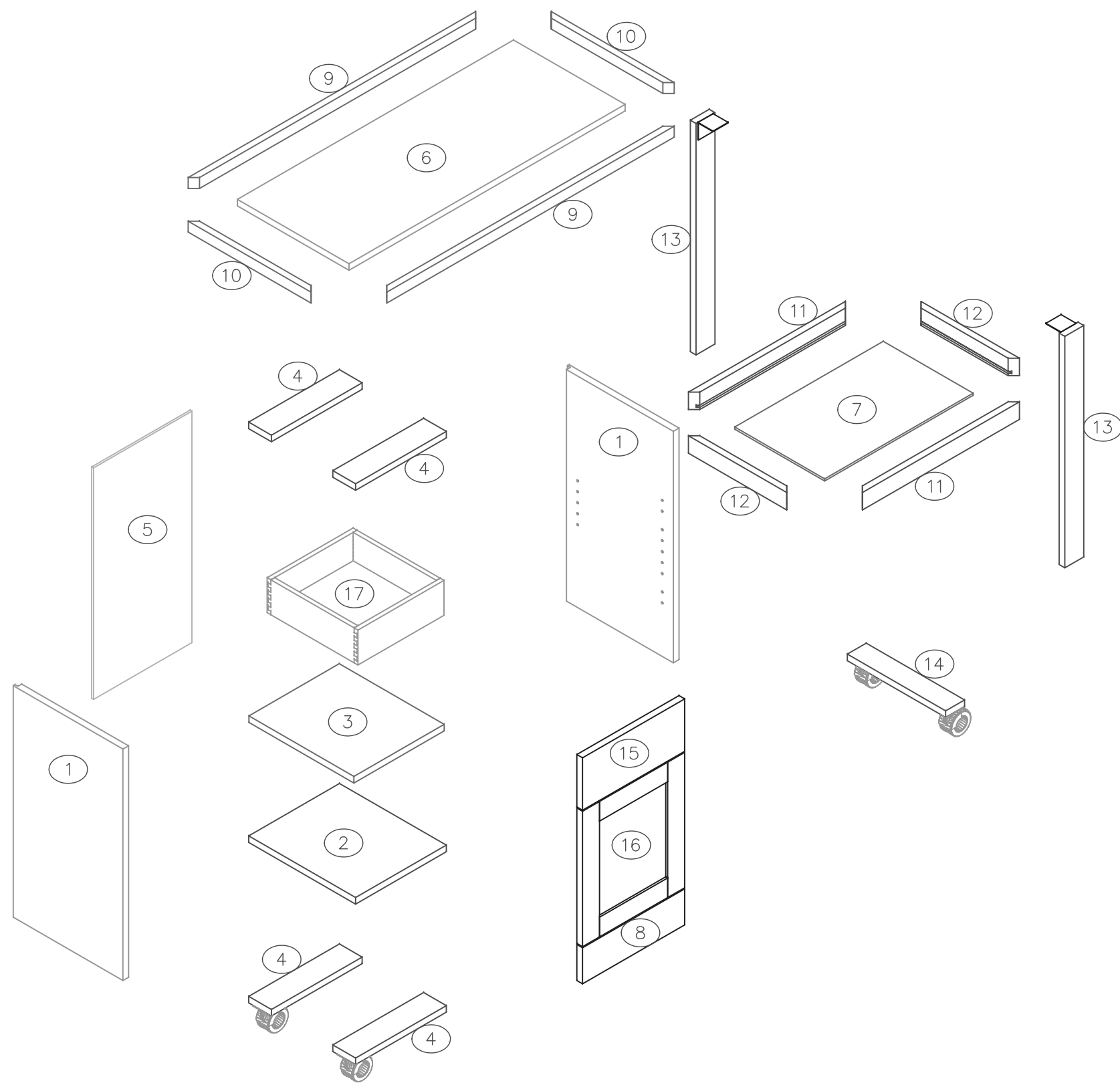
DATE: APRIL COMPETITION DATE: 2019

SCALE: AS NOTED DWG #: 1

DRAWN BY: AK

SPECIAL SPONSORS:





YOU WILL RECEIVE:

PLYWOOD:

- 2 PCS @ $\frac{3}{4}$ " X 16"± X 26 $\frac{1}{2}$ " FOR PARTS ①
- 1 PC @ $\frac{3}{4}$ " X 16"± X 16"± FOR PART ②
- 1 PC @ $\frac{3}{4}$ " X 16"± X 16"± FOR PART ③
- 2 PCS @ $\frac{3}{4}$ " X 3" X 31" FOR PARTS ④
- 1 PC @ $\frac{1}{4}$ " X 16"± X 26 $\frac{1}{2}$ " FOR PART ⑤
- 1 PC @ $\frac{3}{4}$ " X 16"± X 36 $\frac{1}{2}$ " FOR PART ⑥
- 1 PC @ $\frac{1}{4}$ " X 16"± X 19 $\frac{5}{8}$ " FOR PART ⑦

SOLID:

- 1 PC OAK @ $\frac{3}{4}$ " X 5" X 20" FOR PART ⑧
- 2 PCS OAK @ $\frac{3}{4}$ " X 1 $\frac{1}{4}$ " X 60" FOR PARTS ⑨ ⑩
- 1 PC OAK @ $\frac{3}{4}$ " X 2" X 72" FOR PARTS ⑪ ⑫
- 1 PC OAK @ $\frac{3}{4}$ " X 2 $\frac{1}{2}$ " X 72" FOR PARTS ⑬ ⑭

PRE-MADE:

- 1 PC @ $\frac{3}{4}$ " X 6" X 13 $\frac{1}{2}$ " FOR PART ⑮
- 1 PC @ $\frac{3}{4}$ " X 15 $\frac{1}{2}$ " X 13 $\frac{1}{2}$ " FOR PART ⑯
- 1 DRAWER BOX KIT FOR PART ⑰

SkillsUSA
CALIFORNIA
STATE CONTEST

ITEM: STORAGE CART

DATE:	APRIL	2017=9
SCALE:	1"=1'-0"	DWG #:
DRAWN BY:	AK	2

SPECIAL SPONSORS:

AWFS
 ASSOCIATION OF
 WOODWORKING
 & FURNISHINGS
 SUPPLIERS

SHUTTLEWORTH COLLEGE
 SOCIETY OF HOME MANUFACTURE

CONTESTANT NUMBER: _____

BILL OF MATERIALS (5 POINTS EACH)

NOTES: _____

#	QTY	DESCRIPTION	MATERIAL	THICKNESS	WIDTH	LENGTH	NOTES
1	2	END	RED OAK PLY	$\frac{3}{4}$ "		26 $\frac{1}{2}$ "	RABBET, EDGE 1 LONG
2	1	DECK	RED OAK PLY	$\frac{3}{4}$ "		12"	EDGE 1 SHORT
3	1	ADJ. SHELF	RED OAK PLY	$\frac{3}{4}$ "		11 $\frac{15}{16}$ "	EDGE 1 SHORT
4	4	SUPPORT	RED OAK PLY	$\frac{3}{4}$ "	3"		EDGE 1 LONG ON 1 SUPPORT
5	1	BACK	RED OAK PLY	$\frac{1}{4}$ "		26 $\frac{1}{2}$ "	
6	1	TOP	RED OAK PLY	$\frac{3}{4}$ "		36 $\frac{1}{2}$ "	
7	1	TRAY BOTTOM	RED OAK PLY	$\frac{1}{4}$ "	11 $\frac{7}{8}$ "		
8	1	BASE	SOLID OAK	$\frac{3}{4}$ "			
9	2	TOP LONG EDGE	SOLID OAK	$\frac{3}{4}$ "	1 $\frac{1}{4}$ "		
10	2	TOP SHORT EDGE	SOLID OAK	$\frac{3}{4}$ "	1 $\frac{1}{4}$ "		
11	2	TRAY LONG EDGE	SOLID OAK	$\frac{3}{4}$ "	2"		PRE-GROOVED
12	2	TRAY SHORT EDGE	SOLID OAK	$\frac{3}{4}$ "	2"		PRE-GROOVED
13	2	LEG VERTICAL	SOLID OAK	$\frac{3}{4}$ "	2 $\frac{1}{2}$ "		ANGLE BRACKET AT TOP
14	1	LEG HORIZONTAL	SOLID OAK	$\frac{3}{4}$ "	2 $\frac{1}{2}$ "		
15	1	DRAWER FRONT	SOLID OAK	$\frac{3}{4}$ "		13 $\frac{1}{2}$ "	PRE-MADE
16	1	DOOR FRONT	SOLID OAK	$\frac{3}{4}$ "	13 $\frac{1}{2}$ "		PRE-MADE
17	1	DRAWER BOX KIT	KIT	$\frac{1}{2}$ "	11 $\frac{3}{8}$ "	12"	PRE-MADE, NOTCH FOR SLIDE

FILL IN OPEN WIDTH AND LENGTH CELLS (5 POINTS EACH)
 This portion of the competition is worth 85 of 1000 points.

SkillsUSA

**CALIFORNIA
STATE CONTEST**

ITEM: **STORAGE CART**

DATE: APRIL	COMPETITION DATE: 2019
SCALE:	DWG #:
DRAWN BY: AK	3 KEEP

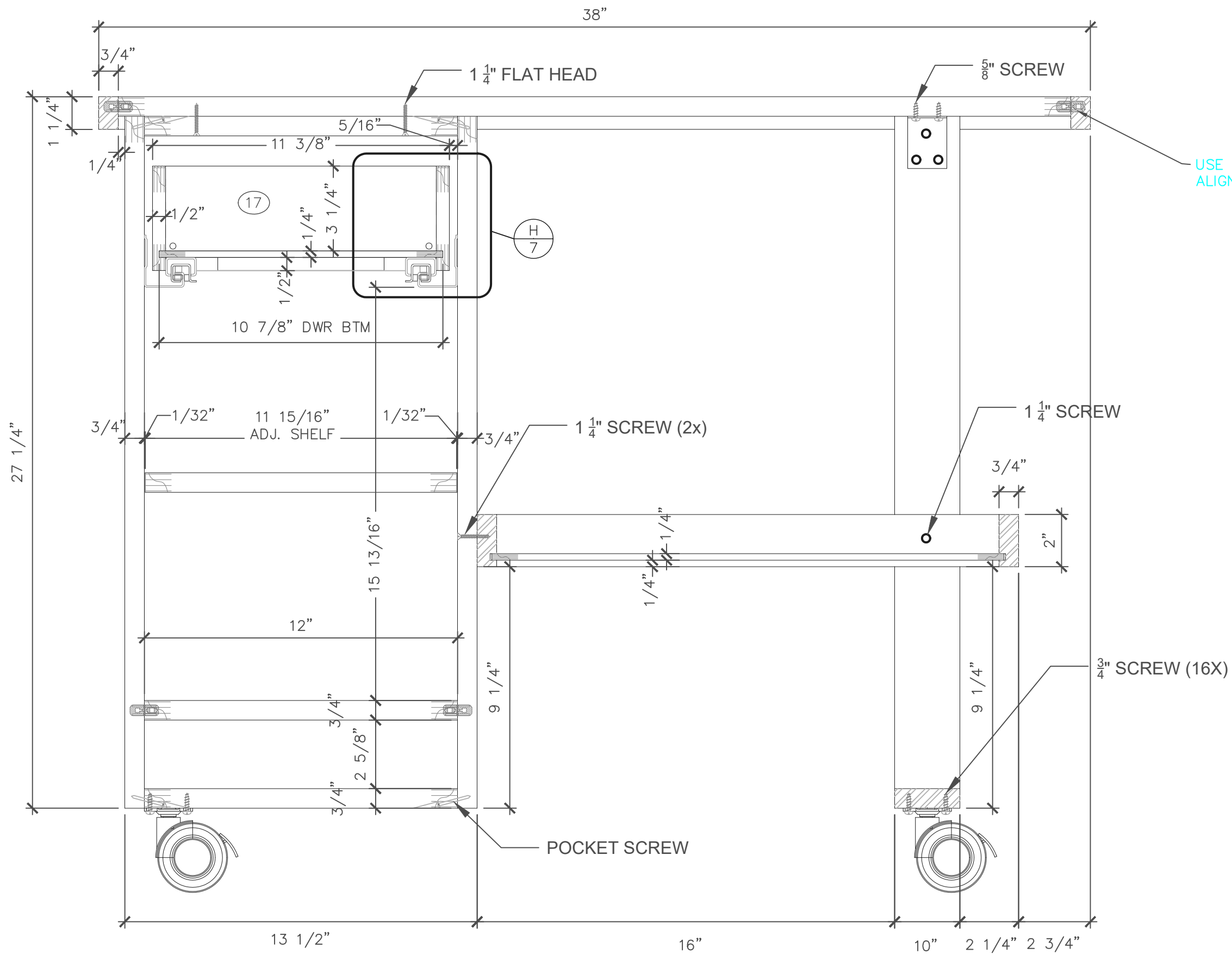
SPECIAL SPONSORS:



AWFS
ASSOCIATION OF
WOODWORKING
& FURNISHINGS
SUPPLIERS



SOCIETY OF WOOD FABRICATORS



C LONGITUDINAL SECTION
SCALE: 3"=1'-0"

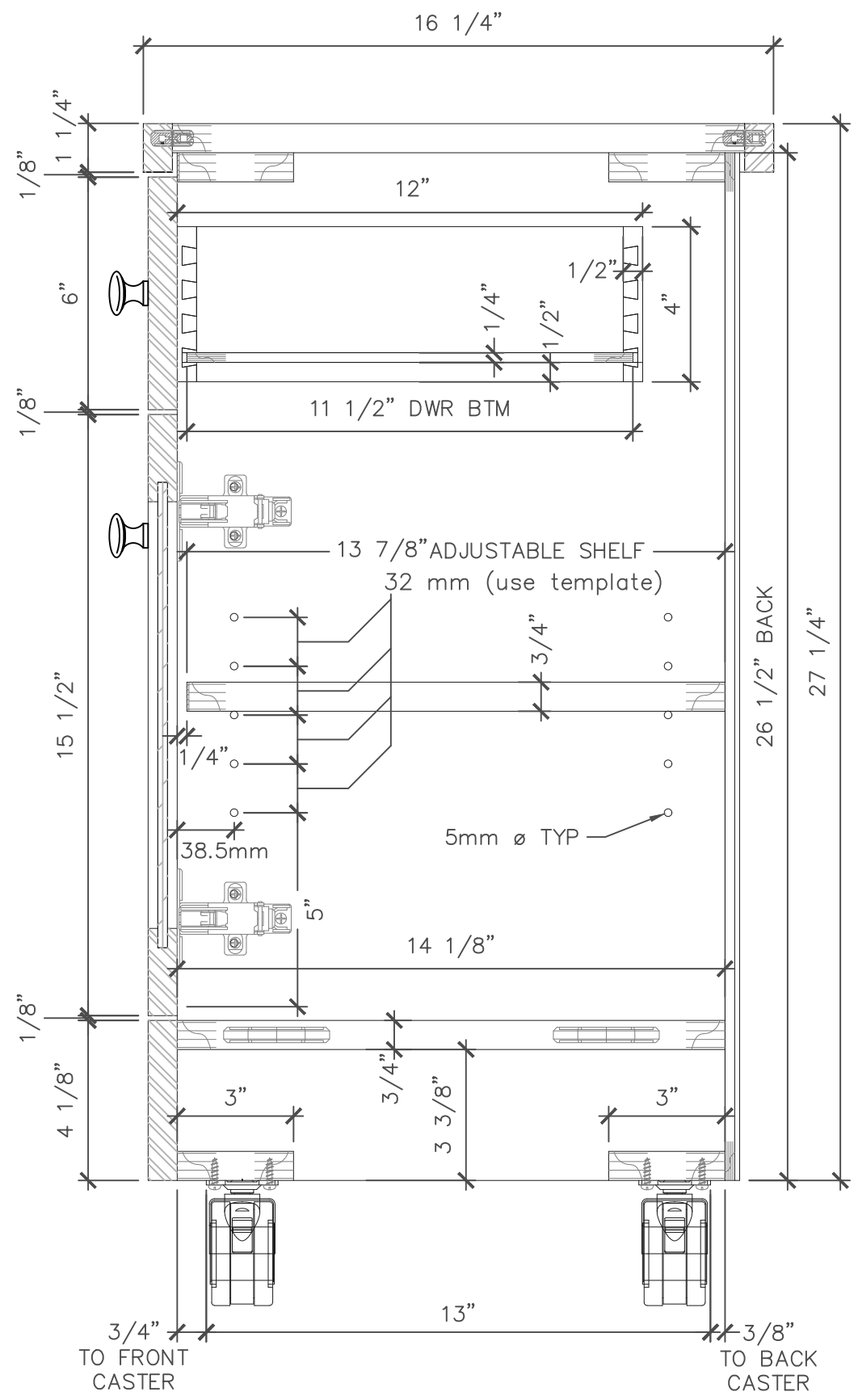
SkillsUSA
CALIFORNIA
STATE CONTEST

ITEM: STORAGE CART	
DATE: APRIL	COMPETITION DATE: 2019
SCALE: 3"=1'-0"	DWG #: 4
DRAWN BY: AK	

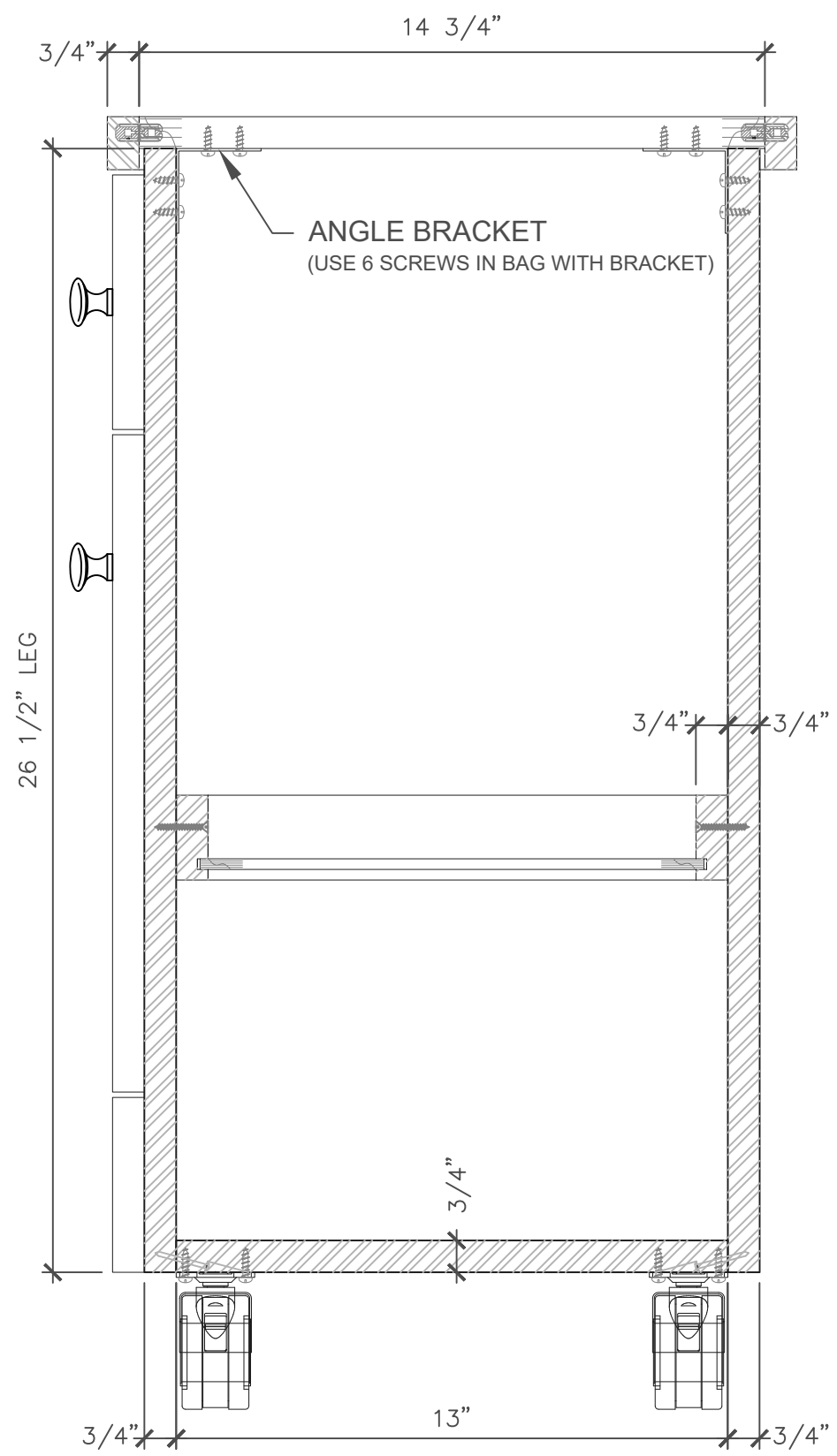
SPECIAL SPONSORS:

AWFS
ASSOCIATION OF
WOODWORKING
& FURNISHINGS
SUPPLIERS

AWM
SOUTHERN CALIFORNIA CHAPTER
SOCIETY OF AMERICAN HOME MANUFACTURERS



D VERTICAL SECTION
SCALE: 3"=1'-0"



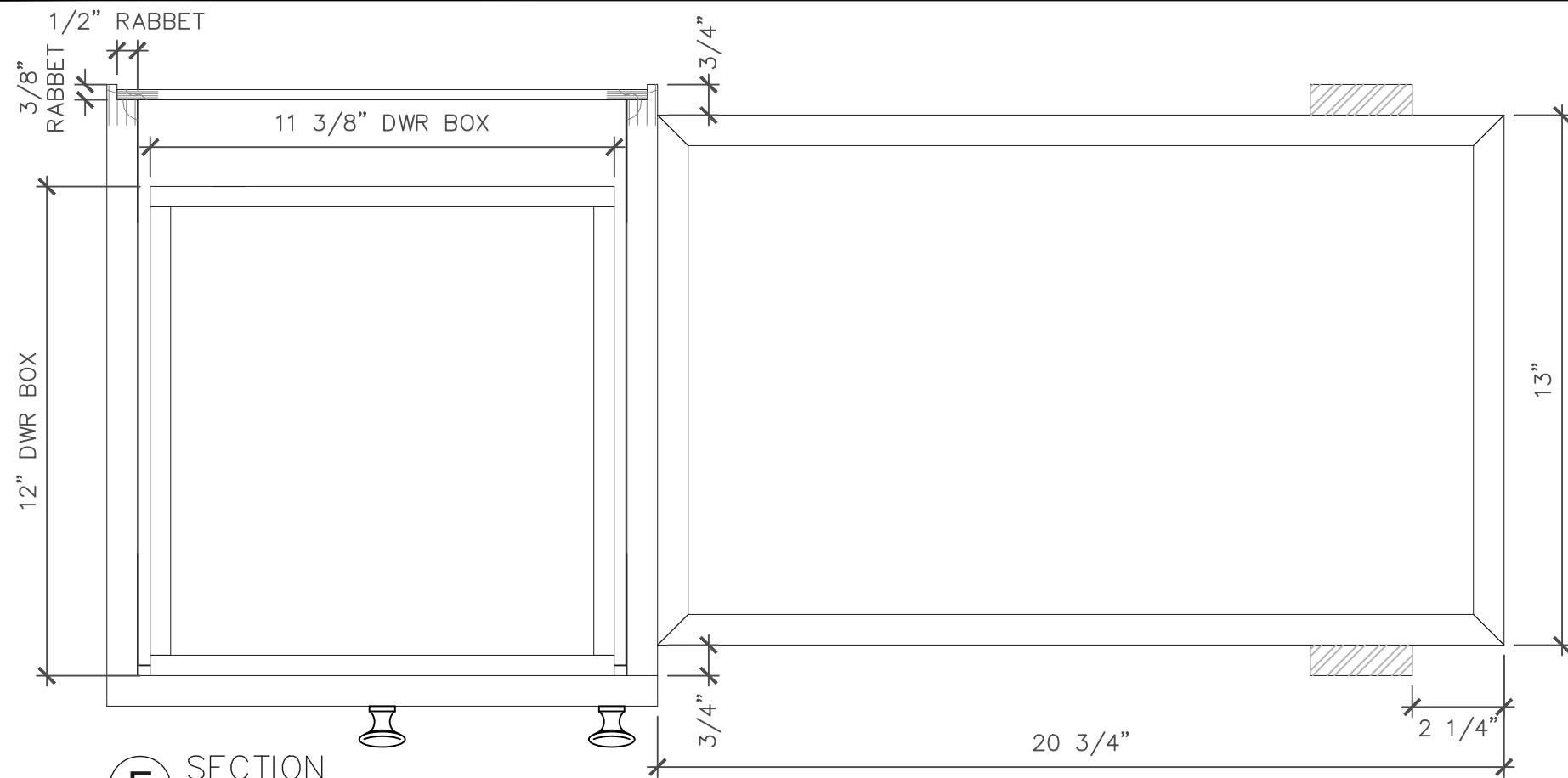
E VERTICAL SECTION
SCALE: 3"=1'-0"

SkillsUSA

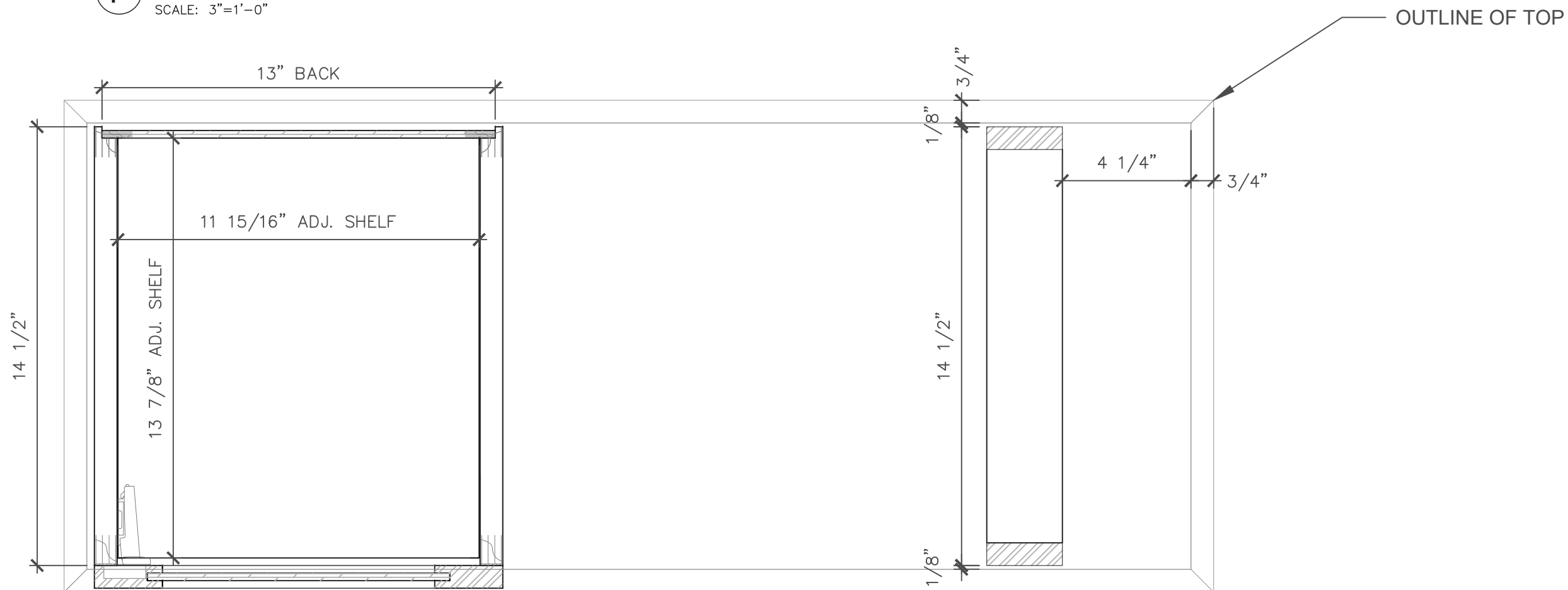
CALIFORNIA STATE CONTEST

ITEM: STORAGE CART	
DATE: APRIL	COMPETITION DATE: 2019
SCALE: 3"=1'-0"	DWG #: 5
DRAWN BY: AK	

SPECIAL SPONSORS:



F SECTION
SCALE: 3"=1'-0"



G SECTION
SCALE: 3"=1'-0"

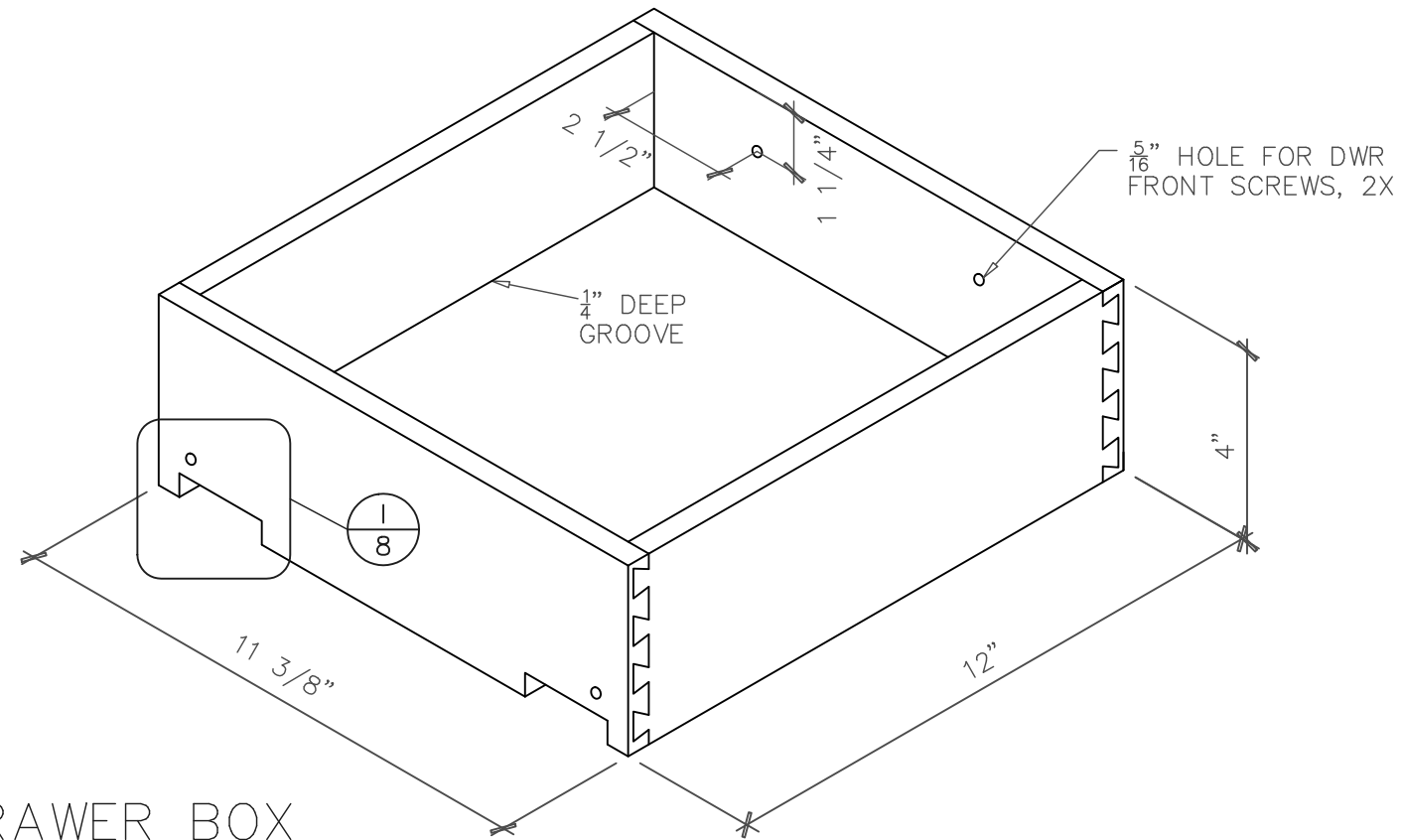
SkillsUSA
CALIFORNIA
STATE CONTEST

ITEM: STORAGE CART	
DATE: APRIL	COMPETITION DATE: 2019
SCALE: 3"=1'-0"	DWG #: 6
DRAWN BY: AK	

SPECIAL SPONSORS:

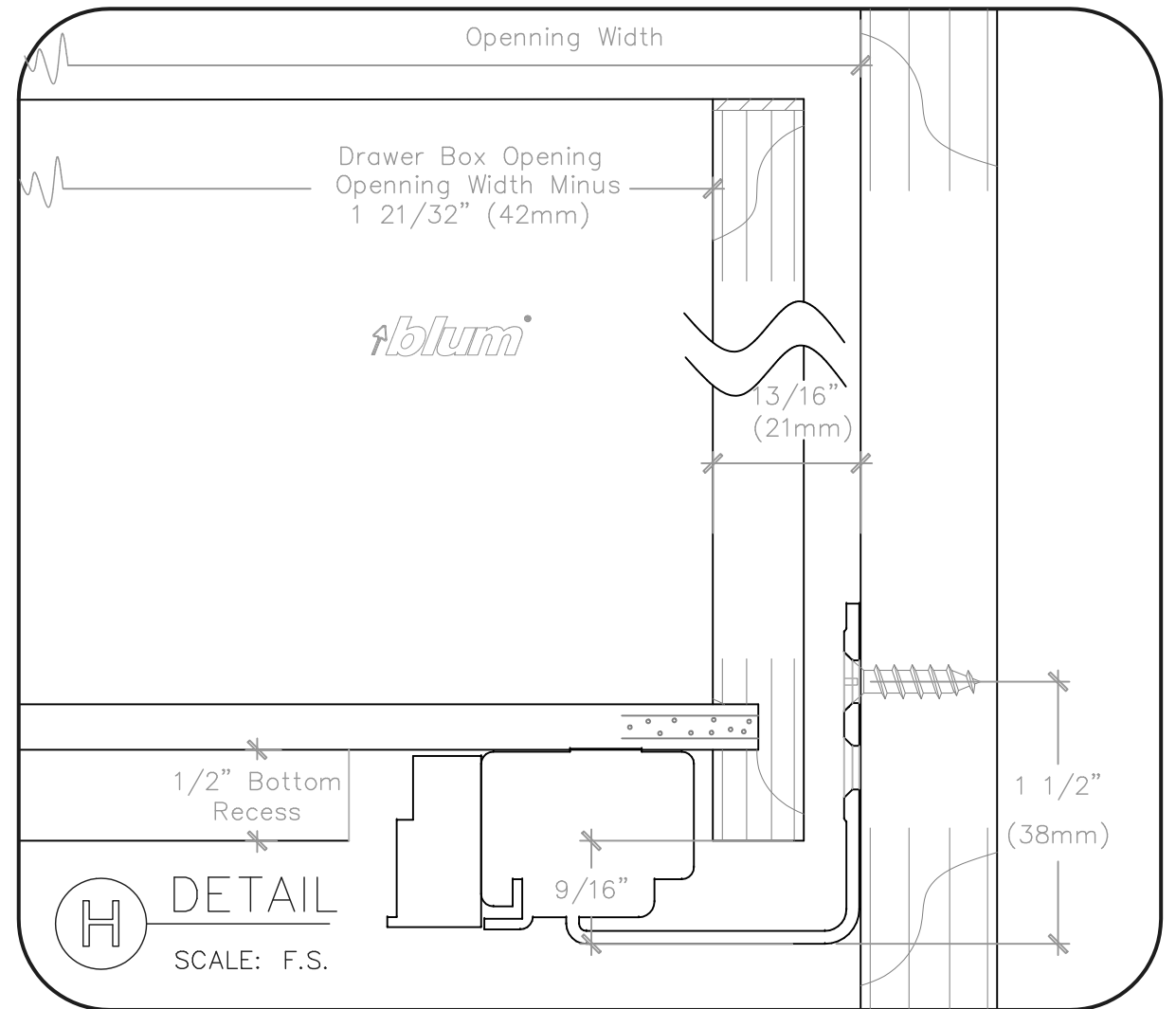
AWFS
ASSOCIATION OF
WOODWORKING
& FURNISHINGS
SUPPLIERS

SOUTHERN CALIFORNIA CHAPTER
SOCIETY OF PROFESSIONAL MANUFACTURERS

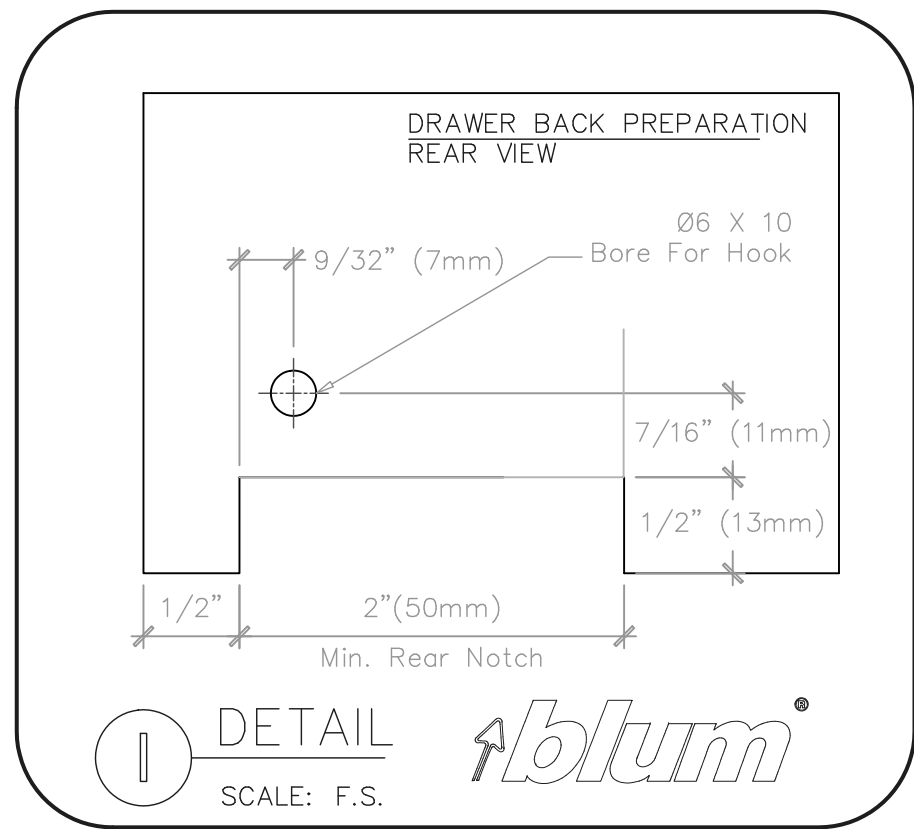


DRAWER BOX
ISOMETRIC: NTS

VIEW FROM BACK SIDE
NOTE HOLE & NOTCH FOR MOVENTO CLIPS



H DETAIL
SCALE: F.S.

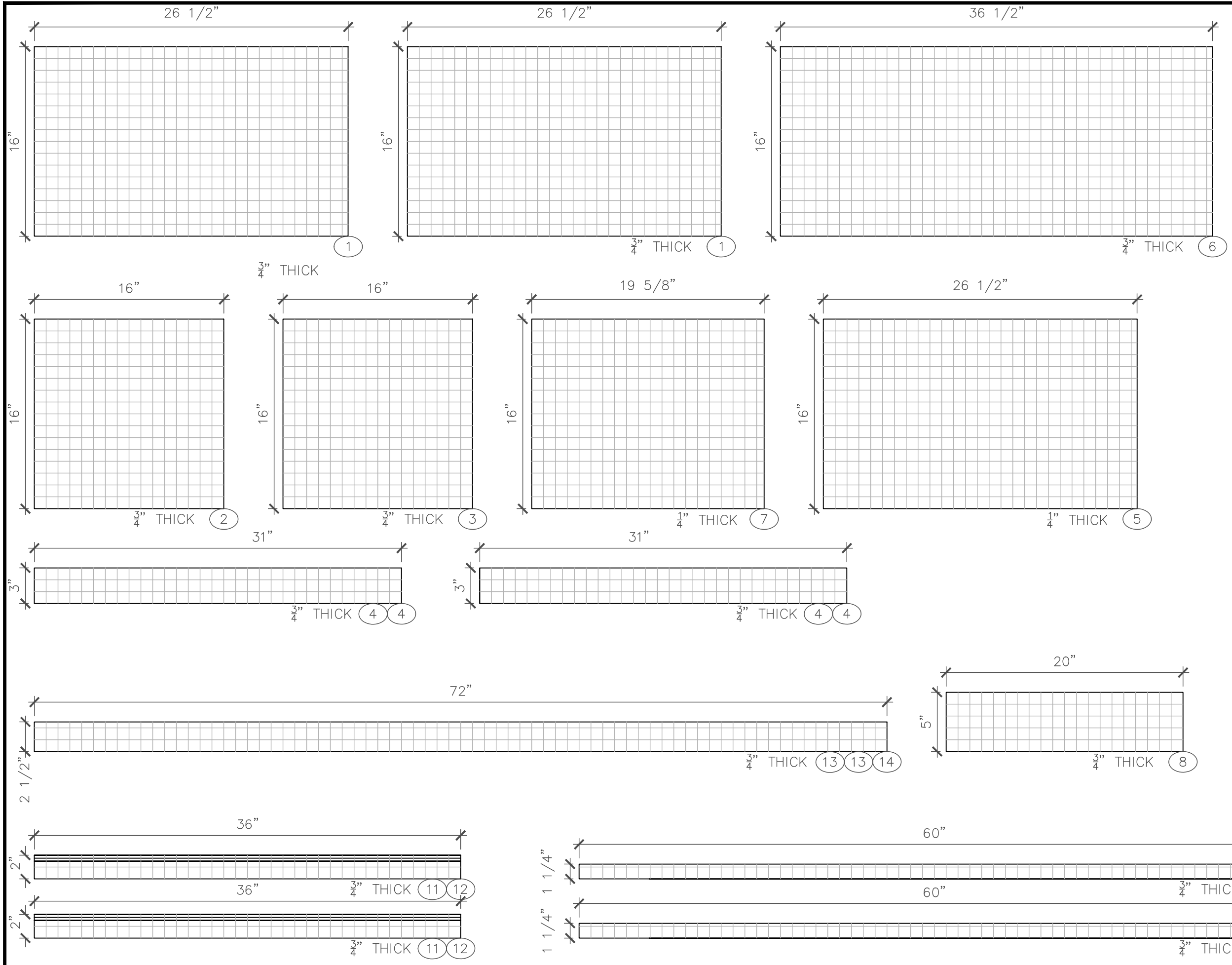


I DETAIL
SCALE: F.S. *blum*

SkillsUSA
CALIFORNIA
STATE CONTEST

ITEM: STORAGE CART	
DATE: APRIL	COMPETITION DATE: 2019
SCALE:	DWG #: 7
DRAWN BY: AK	

SPECIAL SPONSORS:



MATERIAL LAYOUT INSTRUCTIONS

Once you've completed your Bill of Materials, lay out the parts on each corresponding piece of material. Do this by drawing a line vertically and/or horizontally to indicate saw cut. Label each piece with the part name and overall dimensions. Draw an "X" on any scrap pieces. Pay close attention to the grain direction of each piece. This portion of the competition is worth 65 of 1000 points. Note: Each square is scaled to 1" Squared.

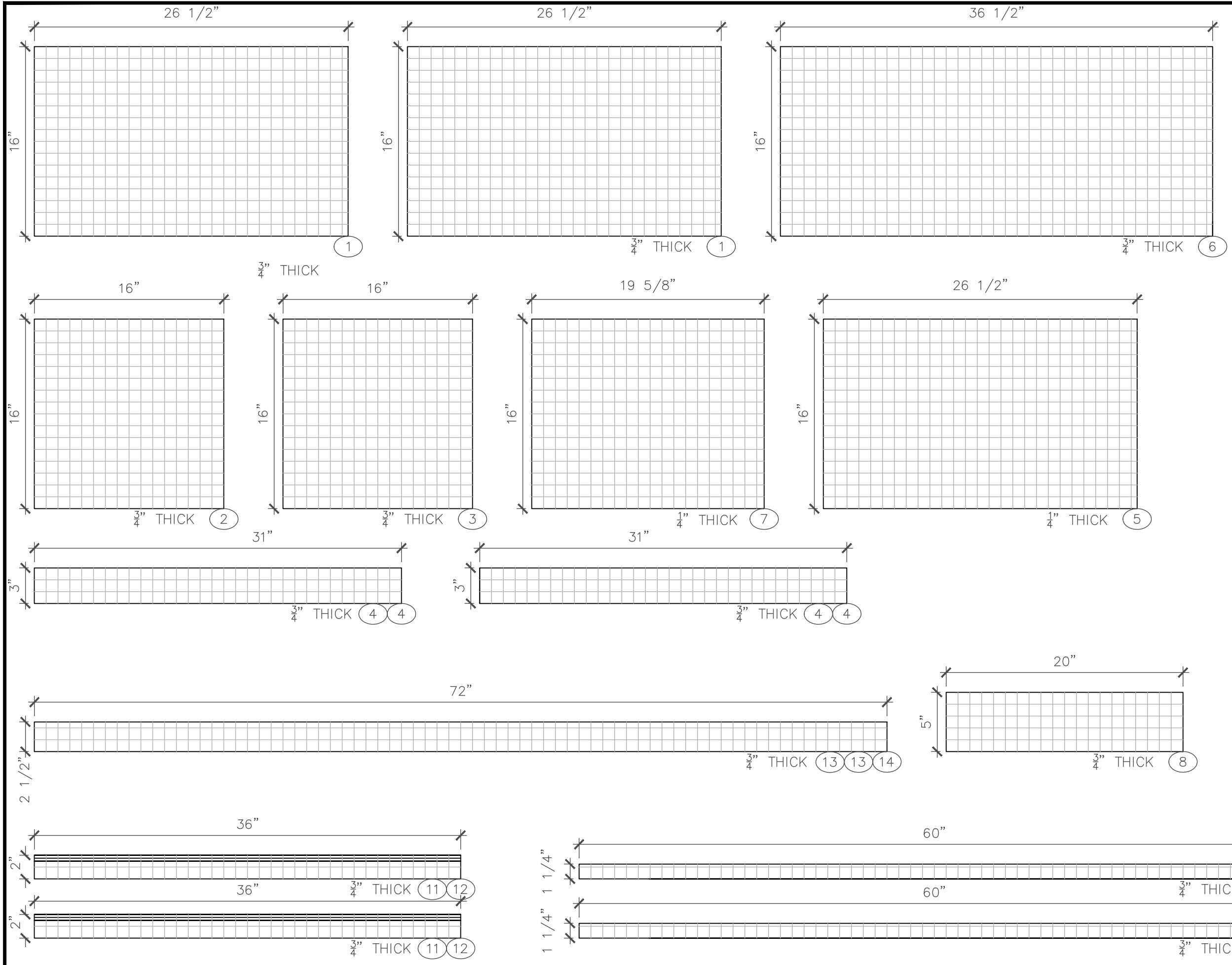
SkillsUSA
CALIFORNIA
STATE CONTEST

ITEM: STORAGE CART	
DATE: APRIL	COMPETITION DATE: 2019
SCALE: 1-1/2"=1'-0"	DWG #: 8 ML KEEP
DRAWN BY: AK	

SPECIAL SPONSORS:

AWFS
 ASSOCIATION OF WOODWORKING & FURNISHINGS SUPPLIERS

SCOUTS OF CALIFORNIA
 SOCIETY OF AMERICAN FURNITURE



MATERIAL LAYOUT INSTRUCTIONS

Once you've completed your Bill of Materials, lay out the parts on each corresponding piece of material. Do this by drawing a line vertically and/or horizontally to indicate saw cut. Label each piece with the part name and overall dimensions. Draw an "X" on any scrap pieces. Pay close attention to the grain direction of each piece. This portion of the competition is worth 65 of 1000 points. Note: Each square is scaled to 1" Squared.

SkillsUSA
CALIFORNIA
STATE CONTEST

ITEM: STORAGE CART	
DATE: APRIL	COMPETITION DATE: 2019
SCALE: 1-1/2"=1'-0"	DWG #: 8 ML HAND IN
DRAWN BY: AK	

SPECIAL SPONSORS:

CONTESTANT NUMBER: _____

BILL OF MATERIALS (5 POINTS EACH)

NOTES: _____

#	QTY	DESCRIPTION	MATERIAL	THICKNESS	WIDTH	LENGTH	NOTES
1	2	END	RED OAK PLY	$\frac{3}{4}$ "		26 $\frac{1}{2}$ "	RABBET, EDGE 1 LONG
2	1	DECK	RED OAK PLY	$\frac{3}{4}$ "		12"	EDGE 1 SHORT
3	1	ADJ. SHELF	RED OAK PLY	$\frac{3}{4}$ "		11 $\frac{15}{16}$ "	EDGE 1 SHORT
4	4	SUPPORT	RED OAK PLY	$\frac{3}{4}$ "	3"		EDGE 1 LONG ON 1 SUPPORT
5	1	BACK	RED OAK PLY	$\frac{1}{4}$ "		26 $\frac{1}{2}$ "	
6	1	TOP	RED OAK PLY	$\frac{3}{4}$ "		36 $\frac{1}{2}$ "	
7	1	TRAY BOTTOM	RED OAK PLY	$\frac{1}{4}$ "	11 $\frac{7}{8}$ "		
8	1	BASE	SOLID OAK	$\frac{3}{4}$ "			
9	2	TOP LONG EDGE	SOLID OAK	$\frac{3}{4}$ "	1 $\frac{1}{4}$ "		
10	2	TOP SHORT EDGE	SOLID OAK	$\frac{3}{4}$ "	1 $\frac{1}{4}$ "		
11	2	TRAY LONG EDGE	SOLID OAK	$\frac{3}{4}$ "	2"		PRE-GROOVED
12	2	TRAY SHORT EDGE	SOLID OAK	$\frac{3}{4}$ "	2"		PRE-GROOVED
13	2	LEG VERTICAL	SOLID OAK	$\frac{3}{4}$ "	2 $\frac{1}{2}$ "		ANGLE BRACKET AT TOP
14	1	LEG HORIZONTAL	SOLID OAK	$\frac{3}{4}$ "	2 $\frac{1}{2}$ "		
15	1	DRAWER FRONT	SOLID OAK	$\frac{3}{4}$ "		13 $\frac{1}{2}$ "	PRE-MADE
16	1	DOOR FRONT	SOLID OAK	$\frac{3}{4}$ "	13 $\frac{1}{2}$ "		PRE-MADE
17	1	DRAWER BOX KIT	KIT	$\frac{1}{2}$ "	11 $\frac{3}{8}$ "	12"	PRE-MADE, NOTCH FOR SLIDE

FILL IN OPEN WIDTH AND LENGTH CELLS (5 POINTS EACH)
 This portion of the competition is worth 85 of 1000 points.

SkillsUSA

**CALIFORNIA
STATE CONTEST**

ITEM: **STORAGE CART**

DATE: APRIL	COMPETITION DATE: 2019
SCALE:	DWG #:
DRAWN BY: AK	3 BOM HAND IN

SPECIAL SPONSORS:



AWFS
ASSOCIATION OF
WOODWORKING
& FURNISHINGS
SUPPLIERS



SOCIETY OF WOOD FABRICATORS
SWF
SOCIETY OF WOOD FABRICATORS