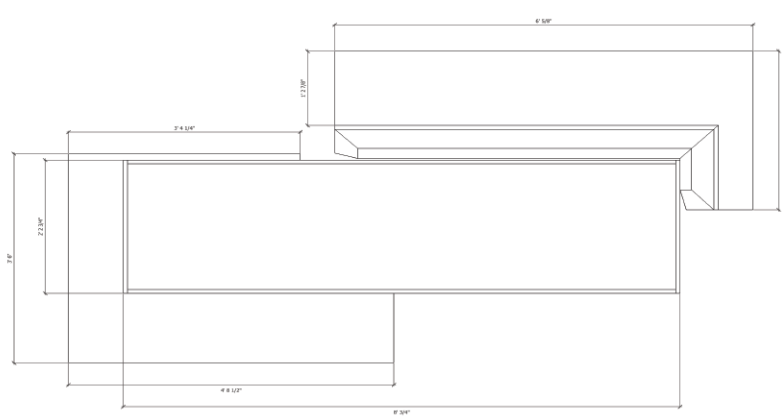
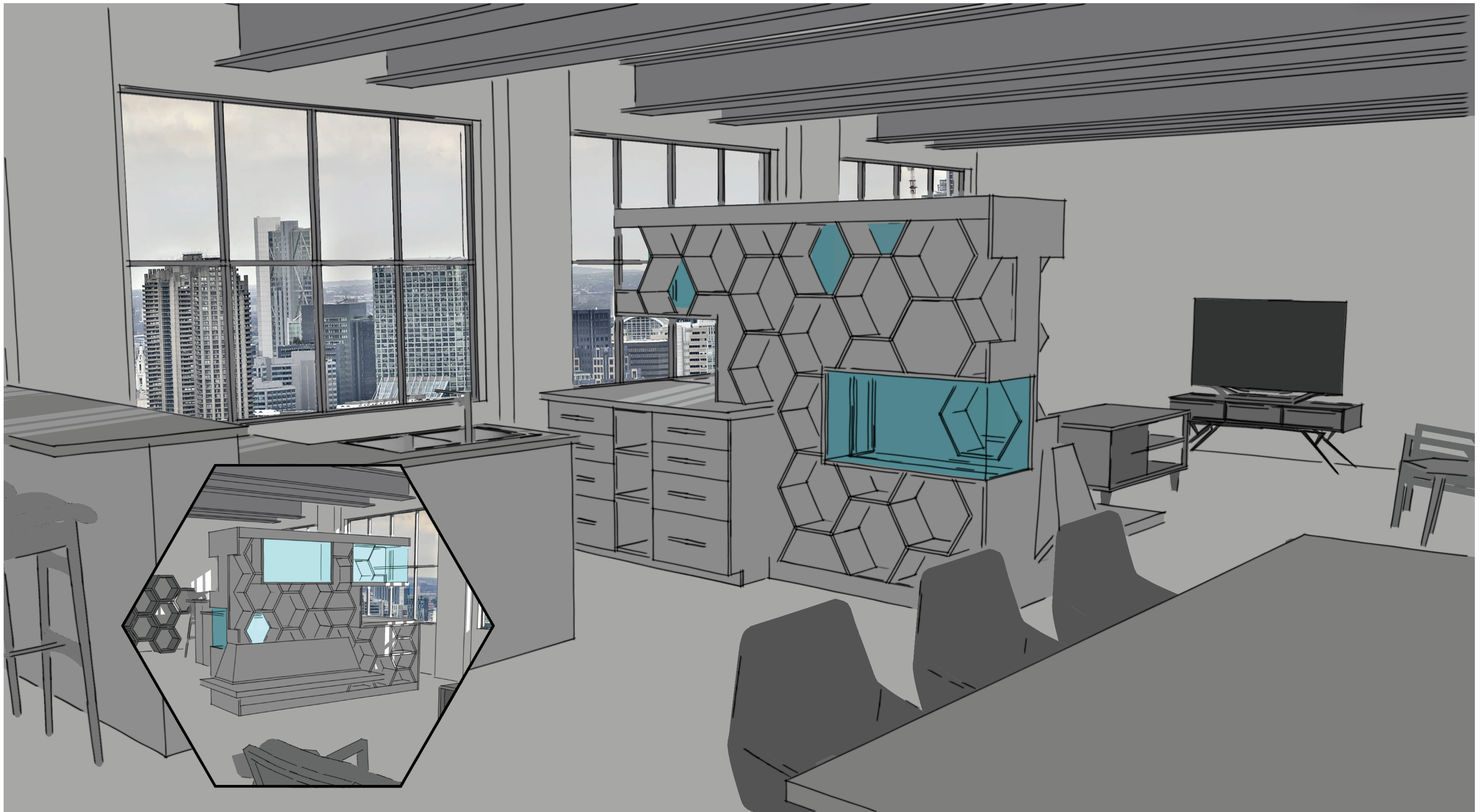
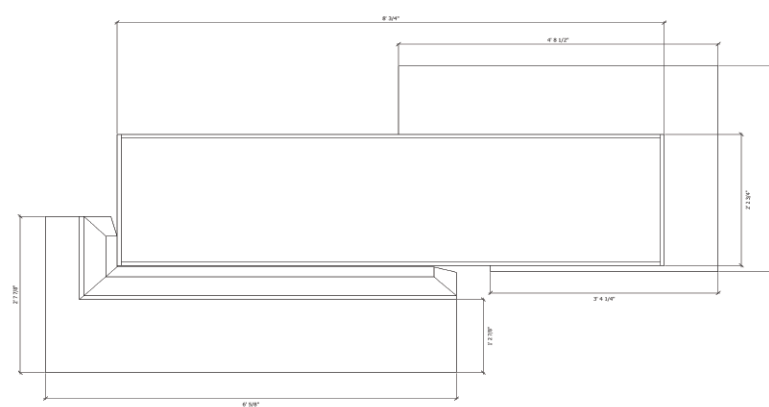


FISH HIVE

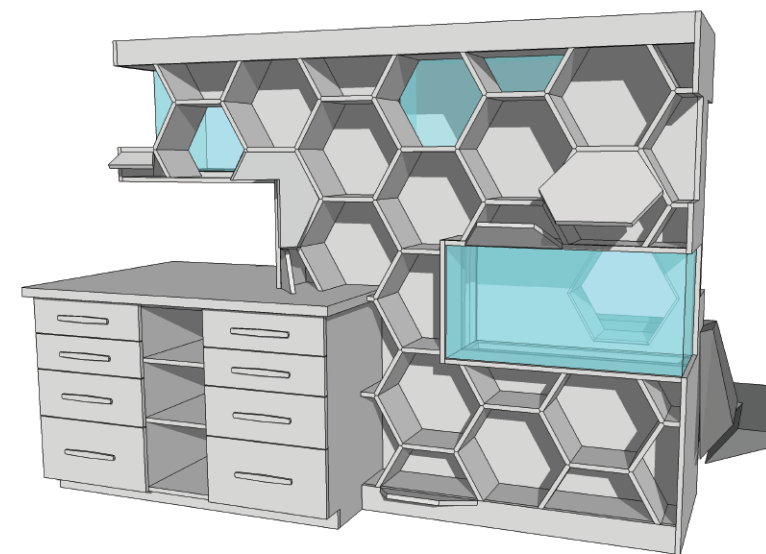
Price Range \$6,133.71 to \$6,300.00



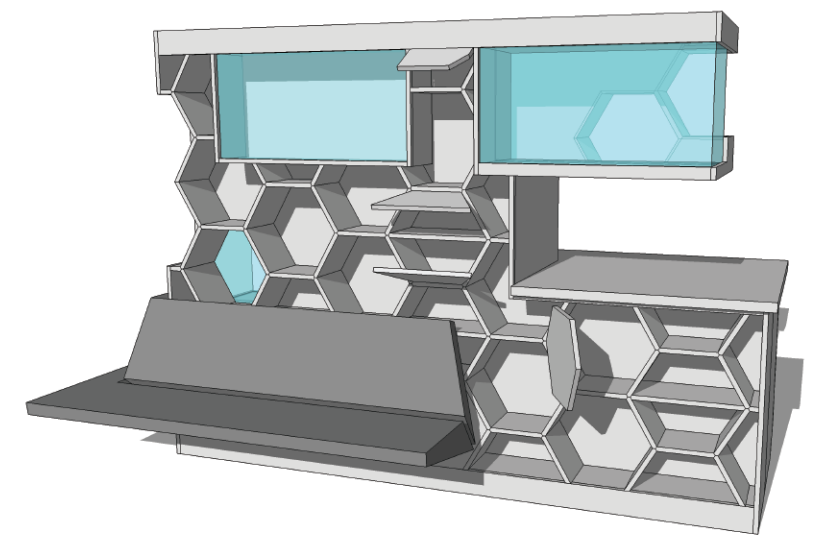
Kitchen Plan View



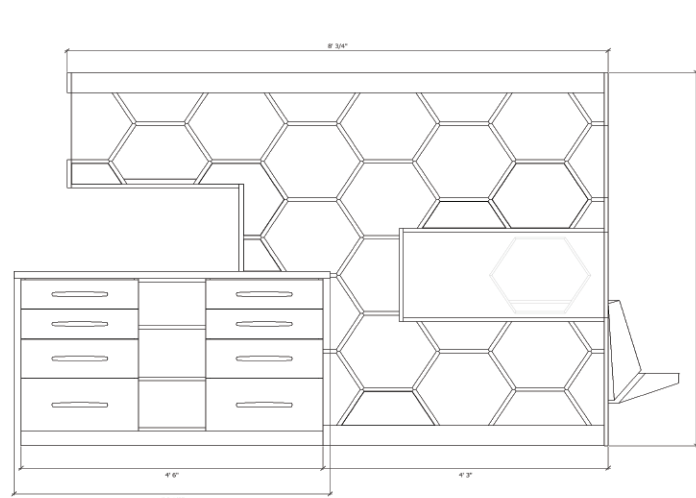
Living Plan View



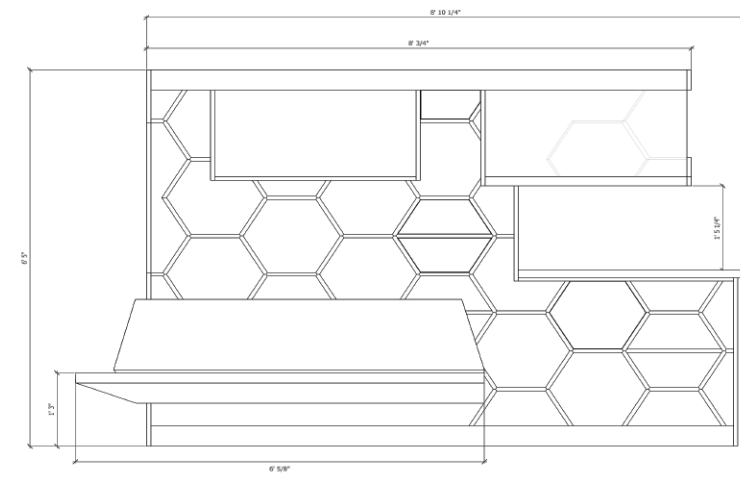
Kitchen Side Open



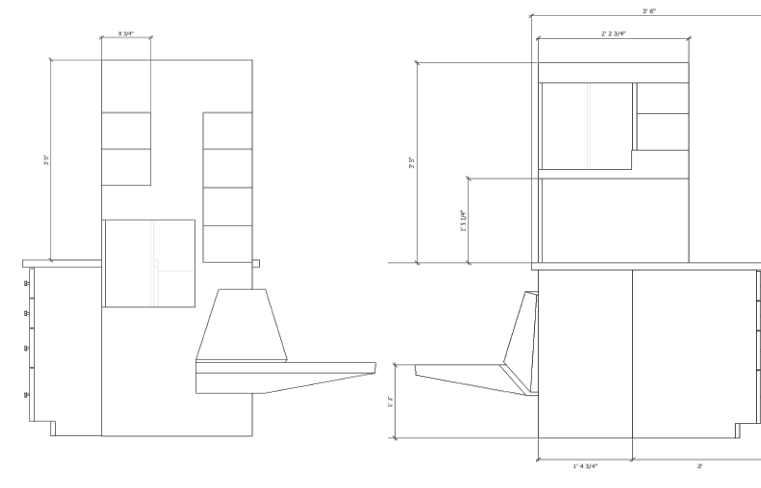
Living Side Open



Kitchen Front View

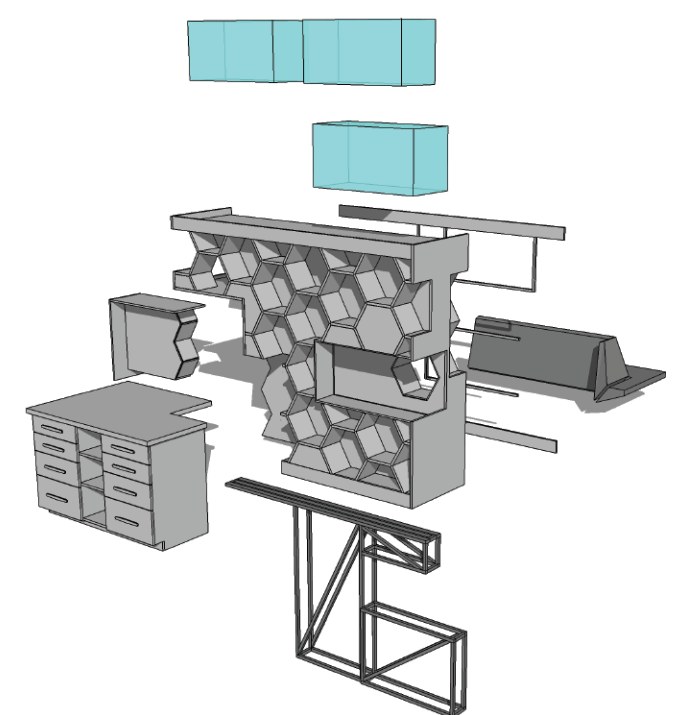


Living Front View



Right Side

Left Side



Exploded View

For this design I based the majority of the structure on a honeycomb, beehive-like pattern, the exterior of the structure is made completely of walnut plywood. This design creates a division between the kitchen and living area in a room. The kitchen side has an abundance of shelf space for books or other items as well as under-cabinet storage, and a large countertop that extends to the living room. The other side is very similar to the kitchen side as it also has an extensive amount of the honeycomb shelving for items, as well as integrated seating, allowing you to sit and read after selecting a book. The most important part of this design is how the cabinet is constructed. I am utilizing a modular construction that allows for this cabinet to be transported in smaller sections to fit into elevators and through doorways. The steel frame of the cabinet provides a solid structure for the three fish tanks to rest on, as well as providing an easy path to run plumbing or electrical lines throughout the inside of the cabinet. The overall dimensions of this structure were made intentionally short reaching only 6'5" in total height, this is to provide the owner with easier access to the top of the two upper fish tanks for maintenance. The fish tank on the kitchen side can be accessed from above by opening the two hexagonal panels directly above as shown in the kitchen side open view.