

Instructions:

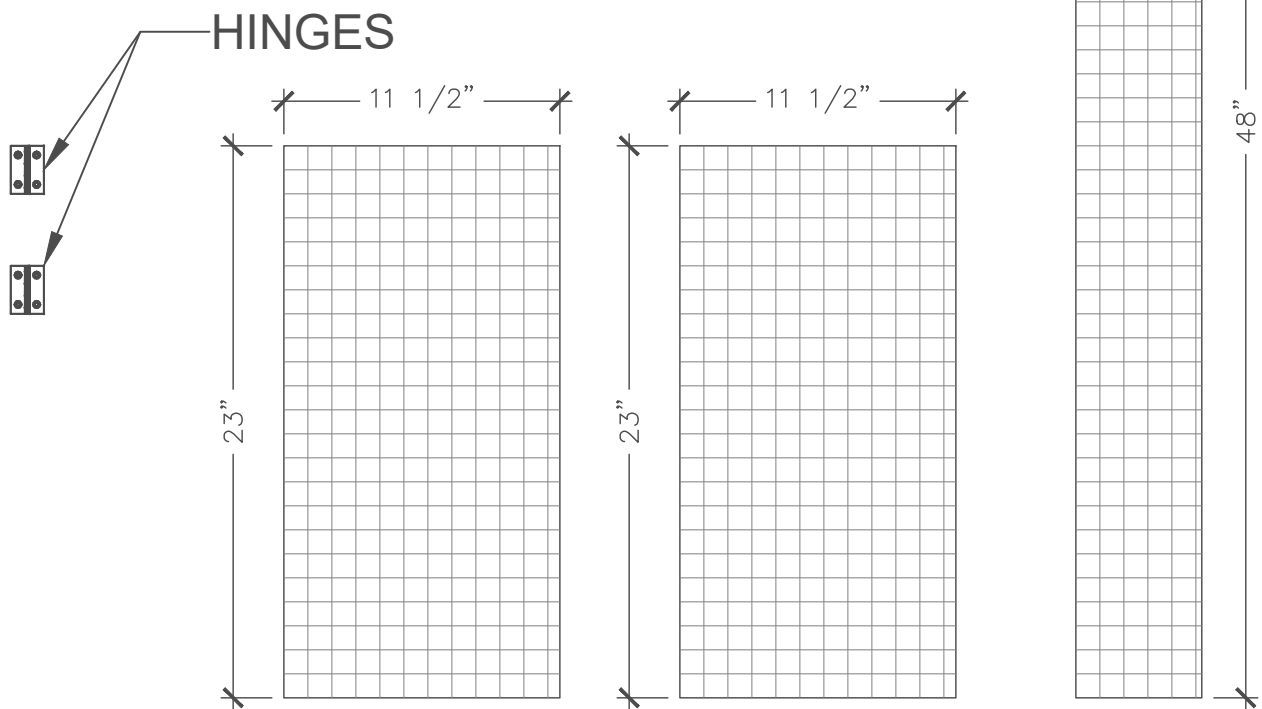
You will receive two pieces of  $\frac{1}{2}$ " plywood measuring  $11\text{-}1/2$ " x  $23$ ", one piece of  $\frac{3}{4}$ " solid wood  $5\text{-}1/4$ " x  $48$ ", and two metal hinges.

Use the drawings provided and a pencil to lay out the shelf parts on the corresponding pieces of wood.

Use a Drill Press, Band Saw, Jig Saw, or Scroll Saw to cut out the profile of the shelf walls from each piece of  $\frac{1}{2}$ " plywood. You may use double-stick tape to drill and cut both of your walls at once. Use a clamp and a fence when using the drill press to hold your pieces down. Use a disk sander to help round the corners. Use a rasp and sand paper to smooth edges and corners.

Use a Miter Saw, Band Saw, Jig Saw, or Scroll Saw to cut two shelves from the solid piece of lumber. You may also use hand tools to cut out each piece. Use a disk sander to help round the corners. Use a rasp and sand paper to smooth edges and corners.

Use two metal Hinges and eight #5 X  $\frac{3}{8}$ " screws to connect the two shelf walls together per the drawings. Sand all edges and corners.



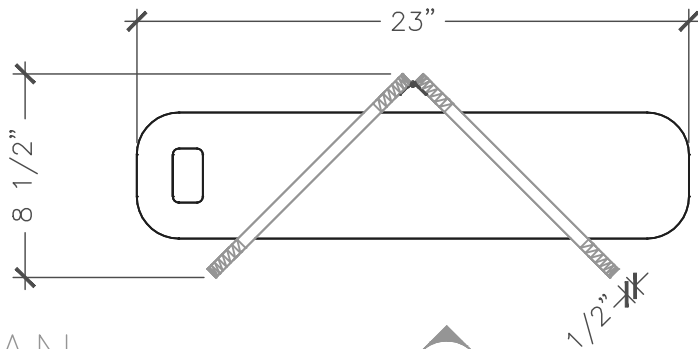
LAYOUT

SCALE:  $1\text{-}1/2$ " =  $1'\text{-}0$ "

**SkillsUSA**  
CALIFORNIA  
STATE CONTEST

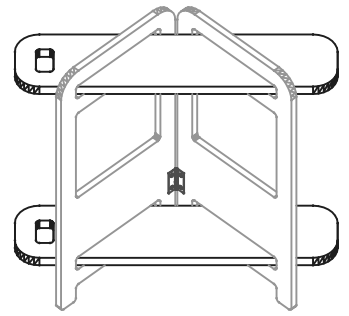
INTRO WOODWORKING  
FOLDING SHELF UNIT  
LAYOUT

DATE: 2022	JOB #: IW
DRAWN BY: AK	SCALE: AS NOTED
DWG. NO. A	

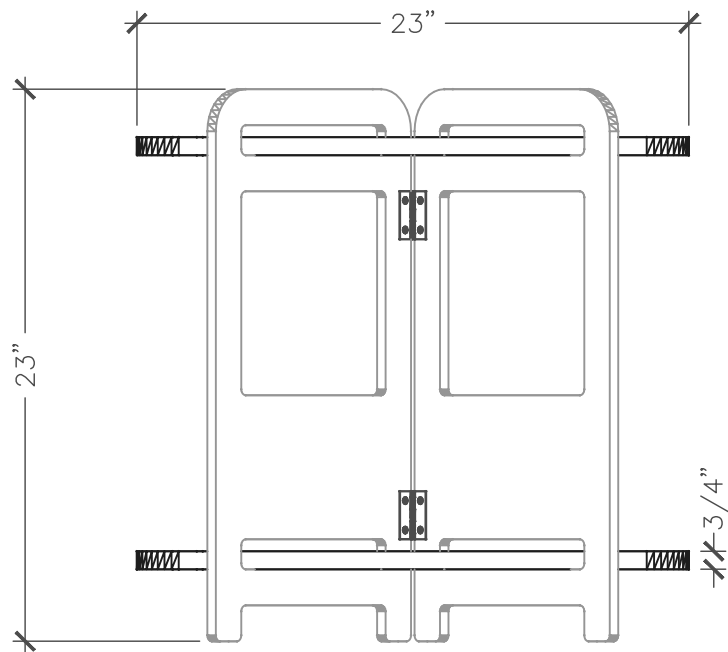


PLAN

SCALE: 1-1/2"=1'-0"

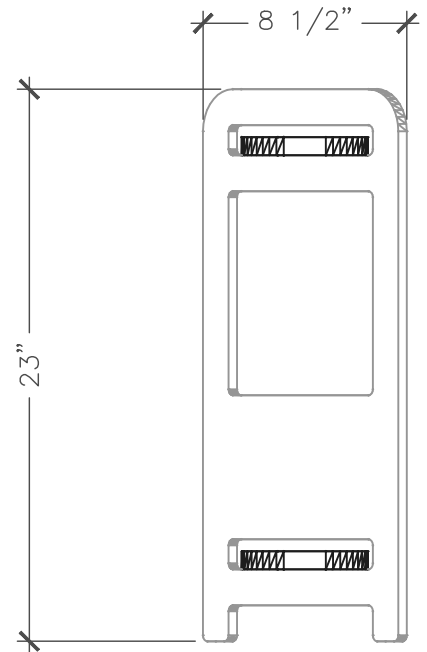


ISOMETRIC



ELEVATION

SCALE: 1-1/2"=1'-0"



ELEVATION

SCALE: 1-1/2"=1'-0"

**SkillsUSA**  
CALIFORNIA  
STATE CONTEST

INTRO WOODWORKING  
FOLDING SHELF UNIT

DATE: 2022

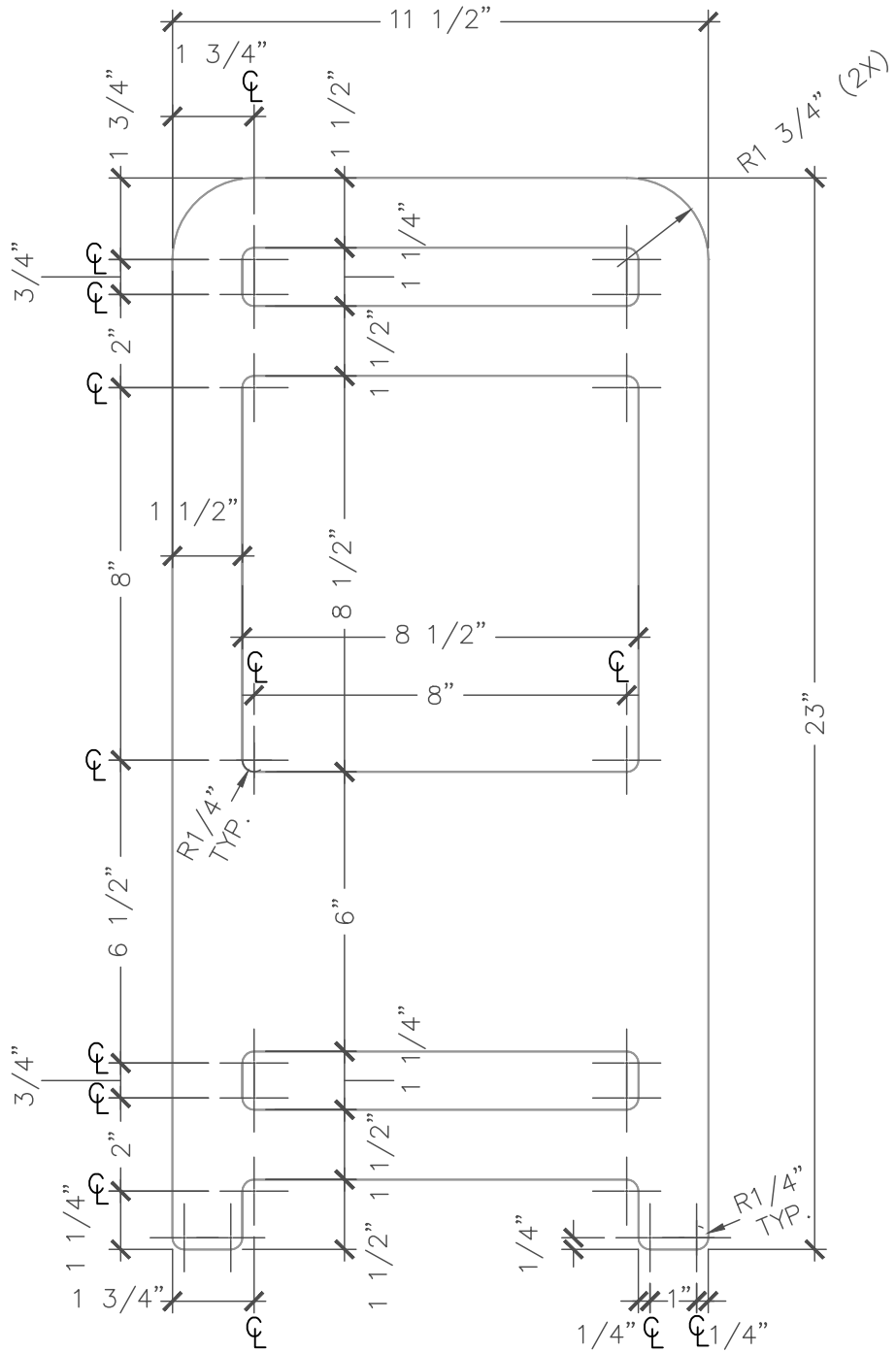
JOB #: IW

DRAWN BY: AK

SCALE: AS NOTED

DWG. NO.

1



# WALL DETAIL

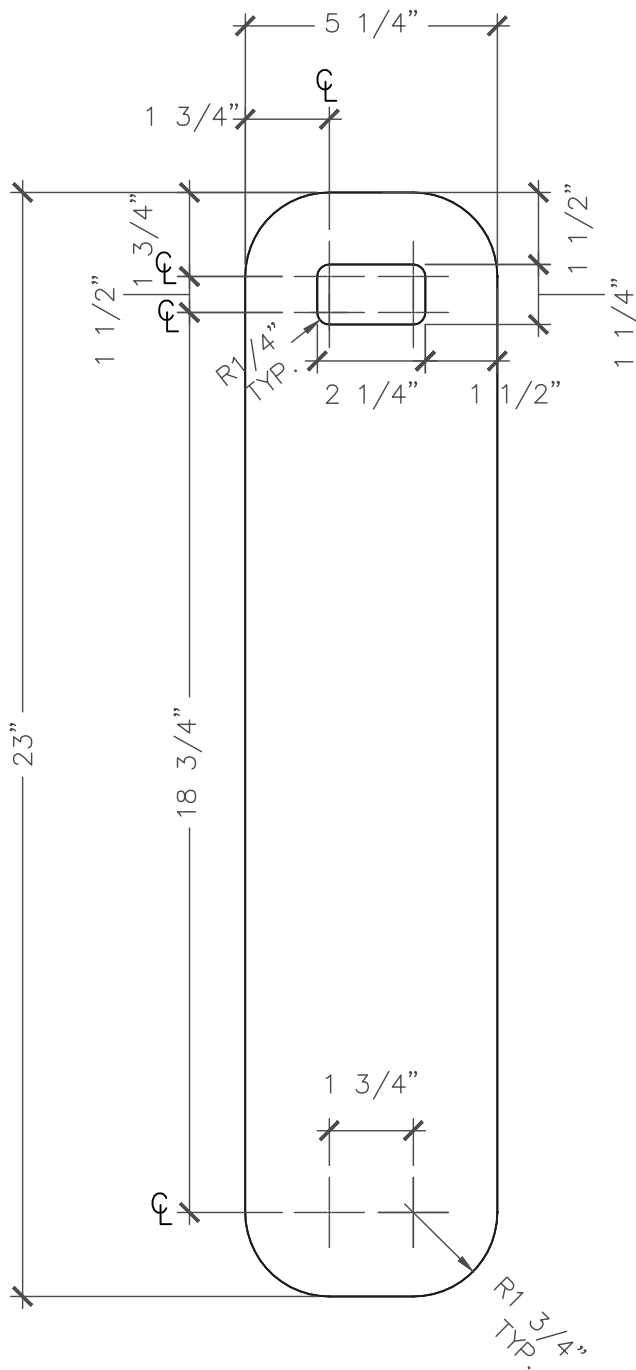
SCALE: 3"=1'-0"

**SkillsUSA**  
**CALIFORNIA**  
**STATE CONTEST**

INTRO WOODWORKING  
 FOLDING SHELF UNIT  
 WALL DETAIL

DATE: 2022	JOB #: IW
DRAWN BY: AK	SCALE: AS NOTED

DWG. NO.  
2



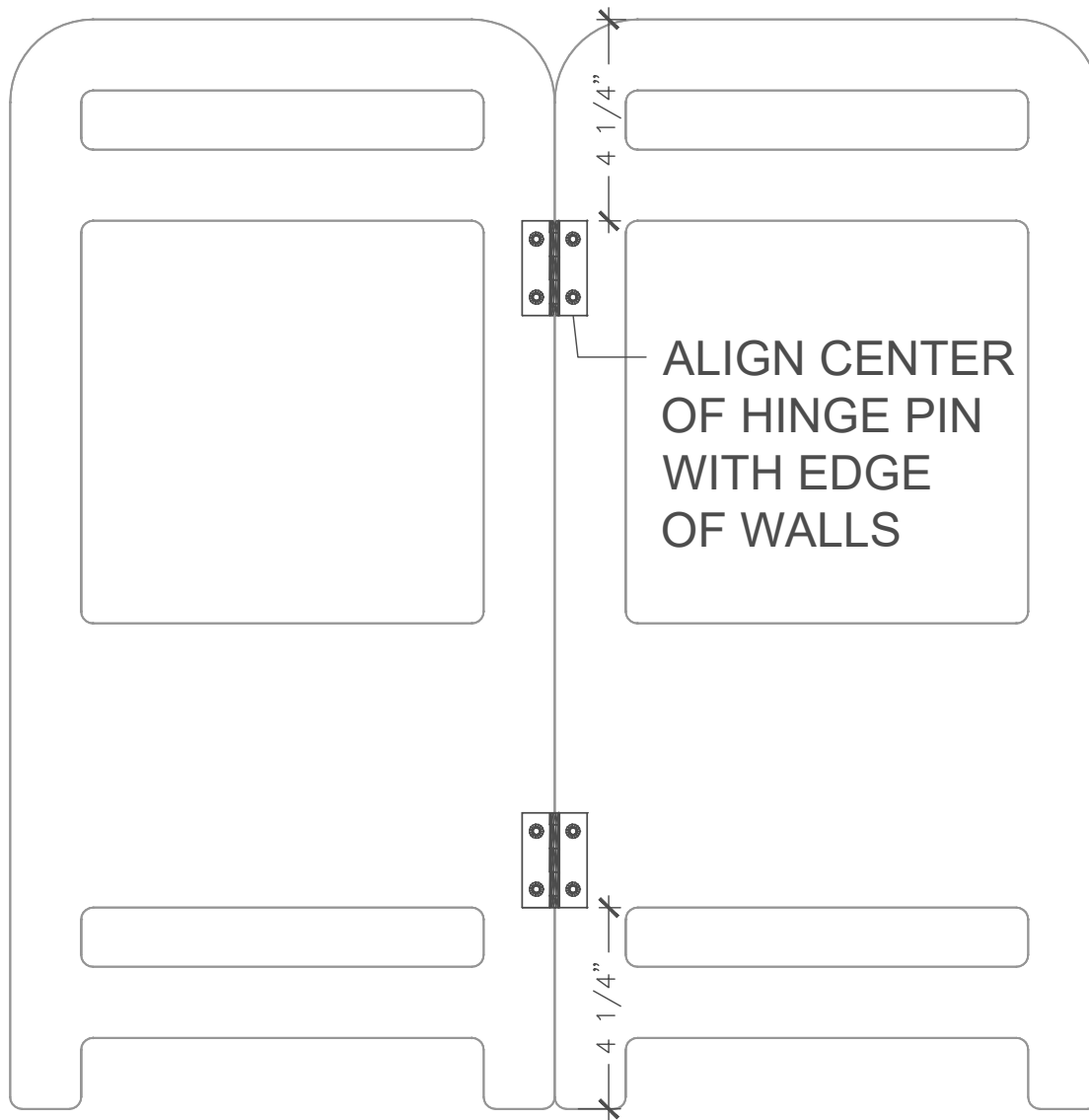
# SHELF DETAIL

SCALE: 3"=1'-0"

**SkillsUSA**  
CALIFORNIA  
STATE CONTEST

INTRO WOODWORKING  
FOLDING SHELF UNIT  
SHELF DETAIL

DATE:	2022	JOB #:	IW
DRAWN BY:	AK	SCALE:	AS NOTED
DWG. NO.	3		



## HINGE DETAIL

SCALE: 3"=1'-0"

**SkillsUSA**  
CALIFORNIA  
STATE CONTEST

INTRO WOODWORKING  
FOLDING SHELF UNIT  
HINGE ATTACHMENT

DATE: 2022	JOB #: IW
DRAWN BY: AK	SCALE: AS NOTED
DWG. NO. 4	