

Building Relationships with School Partners

Adria Salvatore,
AWFS® Association Director

Agenda

- **Building a Relationship**

Steps in the Journey

- **Case Studies**

Las Vegas MFG Day Event

Alhambra Unified School District

- **Supporting Schools**

Strong teachers => prepared students

- **Resources**



This is a long-term relationship

- Be prepared, create a strategy
- Treat this like a (high maintenance) business project or division of your business
- It works both ways
- Stay positive and open-minded; prepared to learn from challenges and celebrate success

What Are You Communicating

- Talent Needs (ex. Skills, Certifications, Competencies)
- Current Talent Sourcing Strategies
- The Benefits Of The Job
- Employability Skills
- Curriculum Musts
- Your Problems With Retention
- Solutions You Would Like to Try
- Questions That Could Come Up in Implementation

Define and Clarify:

- Timeline
- Roles
- Goals
- Assessment and Metrics
- Strengths and Weaknesses





How to find a school?

1. Google/school website
2. Call school district CTE department
3. State CTE association
4. WoodIndustryEd.org
5. SkillsUSA local or state events
6. MFG Day event calendar

Once you find a school...

1. Ask for the CTE Director or Department Lead
2. Ask to tour the school
3. Attend an advisory meeting
4. Offer to volunteer or speak to the class
5. Offer a shop tour
6. Offer a teacher externship
7. Join or form a collaborative



Look for WIBs/WDBs/EDBs and others

Name	Website	Region Covered
Apprenticeship 2000	http://apprenticeship2000.com/	Charlotte, NC area
Build California	https://buildcalifornia.com/	California
Career Zone New York	https://www.careerzone.ny.gov/views/careerzone/index.jsf	New York State
CareerWise Colorado	https://www.careerwisecolorado.org/	Colorado
Detroit Alliance for Exploring Careers in Natural Pathways & Environment		Detroit, Michigan
EXP The Opportunity Engine	https://www.expfuture.org/	Southern California
Future Ready Iowa Workbased learning Clearinghouse	https://clearinghouse.futurereadyiowa.gov/	Iowa
Go Career Compass	Home (gocareercompass.com)	NYC/Long Island
Grow Manufacturing Initiative	https://growmanufacturingexpo.com/	Northern California
Iowa Intermediary Network	https://www.iowain.org/	Iowa
MI Apprenticeship	https://miapprenticeship.org/	Michigan (statewide)
Orange County Advanced Manufacturing Sector Partnership		Orange County, California
Rogue Workforce Partnership	http://www.rogueworkforce.org/	So Oregon
San Joaquin Valley Manufacturing Alliance (SJVMA)	http://sjvma.org/	SJ Valley (Central CA)
SVMI "Sacramento Valley Manufacturers"	https://www.sacvalleymfg.org/	Sacramento Valley (Central CA)
Tahoe Career Connect	https://tahoecareerconnect.org/	Tahoe, CA
Valley Industrial Association	https://www.valleyindustrialassociation.org/	Fox Valley, WI
Vital Link	https://www.vitallinkoc.org/	Orange County, California
Workforce Intelligence Network	https://winintelligence.org/	Southeast Michigan



Ready the culture, systems, strategy and policies that enable effective engagement at all levels

- dedicate people and financial resources to support engagement
- advocate for community support and educational transformation



Coordinate, communicate and collaborate to align resources that support engagement

- ensure engagement in activities
- serve on school partnership committee



Build relationships and engagement with school districts, schools and students along a continuum of experiences

- develop deep sustained transformational partnerships
- provide industry informed learning experiences beyond the classroom

CAREER AWARENESS & EXPLORATION

Learning **ABOUT** the Company & Careers

CAREER PREP

Learning **WITH** the Company

CAREER APPLICATION

Application **IN** the Company



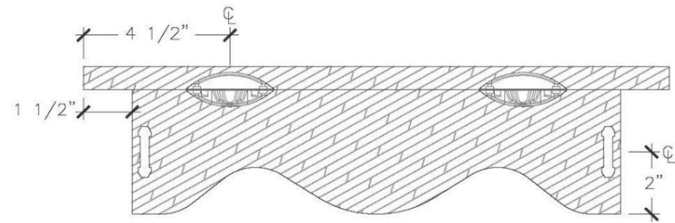


CASE STUDY:

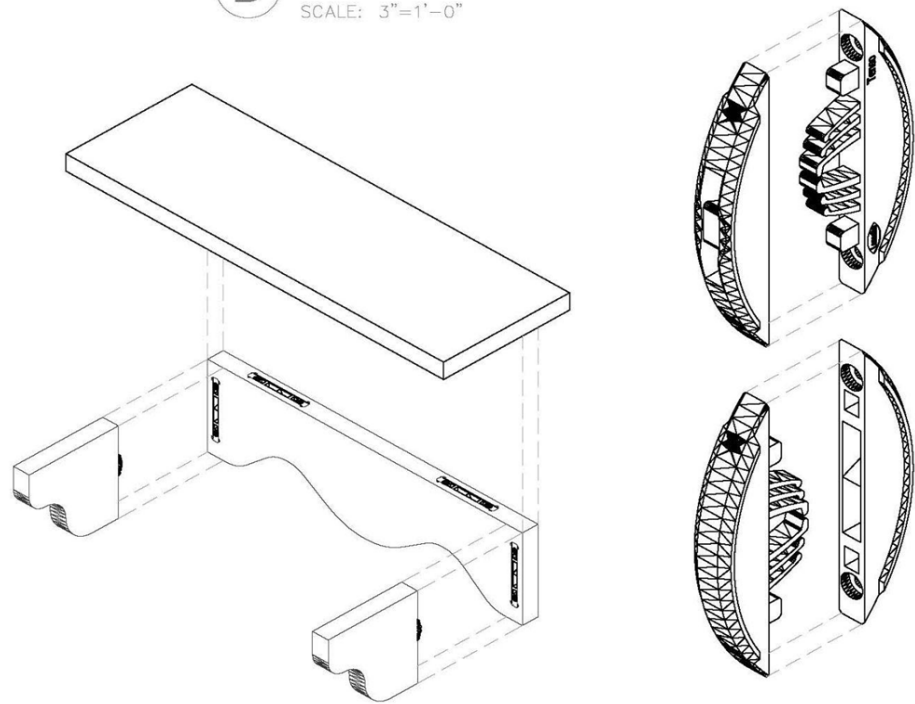
Reborn Cabinets/SWM +
Clark County School District

1. Event at school site
2. Introduced new concepts/technology
3. Sponsored by industry
4. Expanded in 2022

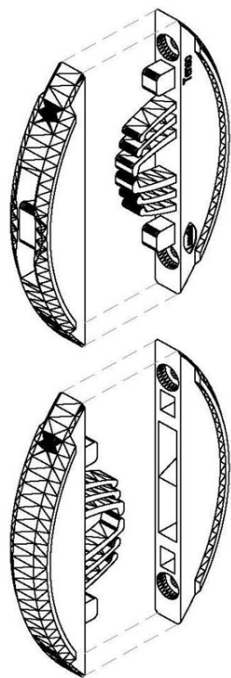




D LONGIT SECTION
SCALE: 3"=1'-0"



E EXPLOSION
SCALE: NTS



F DETAIL
SCALE: 1"=1'-0"

MFG Day 2021 SHELF VERTICAL SECTION	DATE: 2021	JOB #: MD
	DRAWN BY: AK	SCALE: VARIES
	DWG. NO. 3	





Case Study: AWC + Alhambra Unified School District

- Advisory Committee
- Speaking
- Externships
- Internships
- District Competition
- Awards Banquet



Supporting Teachers

It goes beyond donating wood.

- **Externships**

Can be for a day, weeks, etc.

- **Training**

CNC training, software, industry techniques

- **Connecting with Vendors**

Blade sharpening, CNC repair

- **Inviting them to industry events**



Resources

Pathful Connect (fka Nepris)

YouWood.com

Resource Page



Home Products ▾ Request a Demo Log in ▾ Contact Us ▾



Pathful Connect also offers a platform for industry professionals and organization to connect with the K-12 community to scale volunteer and local workforce development efforts.

Companies & organizations
[Request a Demo](#)

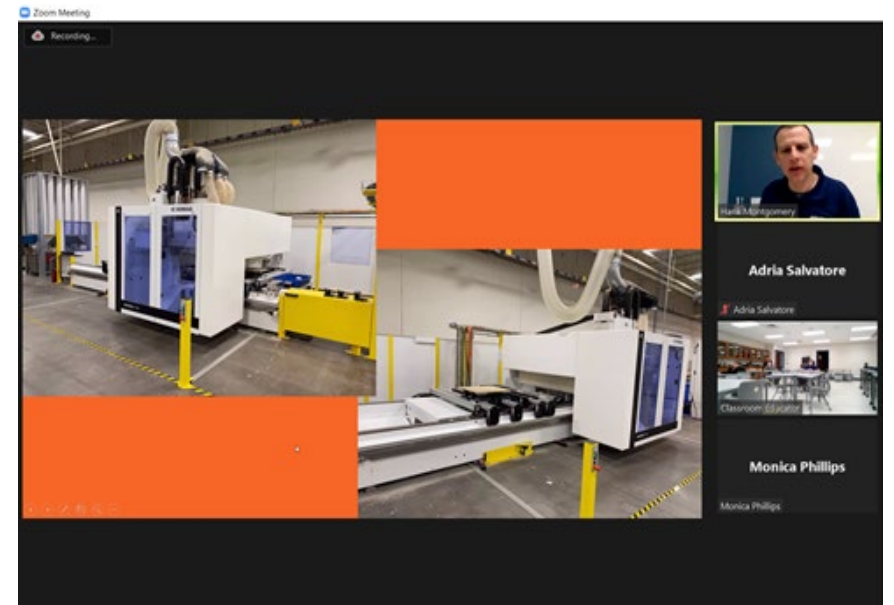
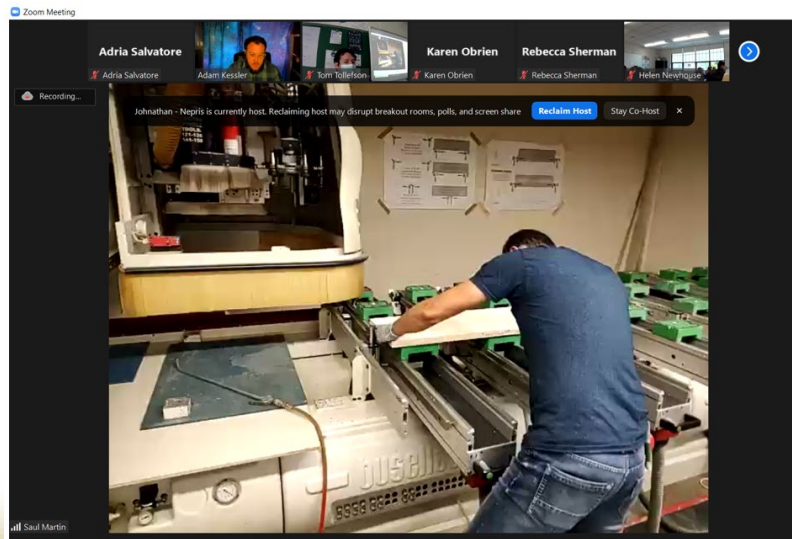
Industry Professionals
[Connect to K-12](#)

Pathful Connect

Free and easy to join

Schools find you and ask you to speak

Pathful hosts the session and handles tech



Thank you!

woodindustryed.org/connecting-with-schools/

Contact: adria@awfs.org

